

VersaTrax™ I150

VersaTrax™ P320

Table of Contents

About This Manual.....	5
System Description & Intended Use.....	5
Certification.....	6
Safety.....	6
System Setup.....	8
Working Environment.....	8
System Power.....	8
Power Requirements.....	8
Set the Line Voltage.....	9
Generators / Inverters.....	9
Connections.....	10
Pre-Configured Control Rack.....	10
Control System Connections – SD Video.....	11
Control System Connections – HD Video.....	11
Fiber Optic Tether.....	12
Client Configured Rack.....	13
Vehicle and Tether.....	14
Winch Installation.....	15
Portable Reel Setup.....	15
Tether Handling.....	16
Connector Handling.....	16
SubConn Connectors: Lubrication and Cleaning.....	17
Impulse Connectors: Lubrication and Cleaning.....	17
System Installation.....	17
Vehicle Layout.....	17
Vehicle Handling.....	18
Communication.....	18
Personnel Requirement.....	18
Vehicle Configuration.....	19

Minimum Bend Sizes.....	19
VT-P320.....	19
Chassis Pipe Sizing.....	19
Powered Camera Raise.....	21
Spectrum™ 90 Installation.....	23
Spectrum™ 120HD Installation.....	25
Spectrum™ 120 Bumper Bars.....	26
Light Installation.....	26
Track Installation.....	28
Track Height Extensions.....	32
Spectrum™ Camera Extension.....	33
Rear Camera Installation.....	34
Advanced Accessories.....	35
Track Length Extensions.....	35
Sonde.....	36
Fiber Optic Tether.....	37
Laser Scanner Mount.....	38
Odometry Module.....	39
Two-Function Manipulator Mount.....	41
VT-I150.....	42
Track Installation.....	42
Spectrum™ 90 Installation.....	43
Guide Wheel Adjustment.....	43
Camera Height / Skid Adjustment.....	45
Rear Camera Installation.....	46
In-Line Traction Enhancement.....	47
Operation.....	50
Pre-Operations Check.....	50
Post-Operations Check.....	51
ICON™ Software.....	51
Power-Up Sequence.....	52
Ground Fault Detection & Alarms.....	52

Dealing With Obstacles	53
Inspection Guidelines	53
Powered Winch Operation	54
Vehicle Recovery	54
Emergency Recovery	55
Troubleshooting.....	56
Camera Control Problems	56
Video Problems.....	56
Vehicle Problems	57
Winch Problems	57
Maintenance.....	59
Galvanic Corrosion Control.....	59
Rinsing and Cleaning	60
Fuse Replacement	60
Track Maintenance	61
Camera Maintenance	61
Tether Re-termination.....	61
Parts and Repairs.....	61
Ordering Parts/Customer Service	61
Warranty Repairs	62
Factory Returns to Canada.....	62
Product/System Drawing Package Availability	62
Limited Warranty Policy	62

About This Manual

This manual has been prepared to assist you in the operation and maintenance of your Eddyfi Technologies equipment. Correct and prudent operation rests with the operator who must thoroughly understand the operation, maintenance, service and job requirements. The specifications and information in this manual are current at the time of printing.

This product is continually being updated and improved. Therefore, this manual endeavors to explain and define the functionality of the product. Furthermore, schematics or pictorials and detailed functionality may differ slightly from what is described in this manual.

Eddyfi Technologies reserves the right to change and/or amend these specifications at any time without notice. Information in this manual does not necessarily replace specific regulations, codes, standards, or requirements of others such as government regulations.

This manual is copyright © 2023 by Eddyfi Robotics Inc. All rights reserved.

System Description & Intended Use

The VersaTrax™ VT-I150 and VersaTrax™ VT-P320 vehicles are a system of pipeline video inspection vehicles based on the tracks. Using In-Line and Parallel chassis configurations, the vehicles will navigate pipelines from 146 – 900 mm (5.75 – 36 in) internal diameter with the camera roughly centered, with an infinite size range with the camera non-centered. As such, the VT-P320 chassis is often used for inspections over industrial floor space, pool bottoms and other harsh environments as well.

The inspection system has been manufactured with the hazards and demands of pipe inspection in mind. The rugged dual tracks permit pipe penetration up to 1,000 m (3,300 ft), with extended range possible using an optional fiber optic tether. All VersaTrax™ hardware can be used dry, underwater, or in dirty, muddy conditions. The rugged design ensures a long service life and helps protect the vehicle from damage during normal use.

Typical applications include inspection of:

- Sewer and storm drains
- Hydroelectric pipe and infrastructure
- Steam headers
- Tanks and pressure vessels
- Oil and gas refineries and pipelines
- Pulp and paper mills

Misuse of the system is deployment in a situation for which it is not rated or improper handling. Examples of misuse include:

<ul style="list-style-type: none"> • In a vacuum. • Beyond its depth rating without factory approval. • Above or below its temperature rating. • Use in a potentially explosive atmosphere. • Use in incompatible chemical environments. 	<ul style="list-style-type: none"> • Very high radiation environments (Beta / Gamma). • Prolonged overload (Payload or pulling load). • Camera pointed at the Sun or at intense lighting. • Mechanical impacts & scraping during deployment / magnetic slamming / dropping. • In salt water without an anode.
---	--

Certification

The VT-P320 and VT-I150 systems are built in accordance with the

- Low Voltage Directive 2006/95/EC
- Machinery Directive 2006/42/EC
- Electromagnetic Compatibility Directive 2004/108/EC.



Safety

To use this product properly and safely, every user must first read these operating instructions and observe the safety instructions contained therein. Take care of these operating instructions and keep them in a place where they can be accessed by everyone. Untrained personnel should not handle or operate this equipment.



CAUTION: Failure to follow these safety instructions may result in injury or equipment damage.



This system includes some specific devices that have their own User Manuals. Instructions in these manuals must also be read before using the system.

WARNING: High Voltage

The tether carries 400 VDC to the rear harness block, and the track whips carry 400 VDC from the harness block to the tracks. Always Keep the tether capped when not installed on the vehicle. Follow the guidelines for preventing tether damage.

400 VDC can cause serious injury or death. Do not operate with a damaged tether or track whip. Do not operate the system with damaged wires. Damaged cabling poses a shock hazard. Repair damaged cabling before operating the vehicle. A short circuit may also damage the controller, cameras, or any attached equipment.

Disconnect the power source before servicing the product; otherwise, damage or fatal injury may result.

The power supply is equipped with a ground fault interrupt circuit. Do not cheat or bypass the ground fault interrupt circuit. Do not power the equipment from a source other than the Eddyfi Technologies provided power supply.



Document: UMDW014058.docm	Revision: A12	Created by: KW	Date: 14 Nov 2023	IPN: 3075415-A12
Source Location: C:\ePDM\ISLEng\products\dw-versatrax150mkii\manuals\UMDW014058.docm				Page 6 of 62



WARNING: Spark Hazard - Under no circumstances should this equipment be used in a potentially explosive atmosphere



WARNING: Intense Optical Radiation - The Spectrum™ camera lights and 901 auxiliary lights are extremely bright and can cause temporary flash blindness. Never look directly at the lights, or even from a shallow angle. Use a welding filter (shade #8 or higher) if inspecting the LEDs.

CAUTION: Class II Laser: The Spectrum™ 90/120 camera may be equipped with laser lines. Do not intentionally stare into the beam. Typically, Class II relies on the blink reflex to limit exposure to no more than ¼-second. Intentionally staring into the beam can cause eye injury.



- When performing maintenance or functional checks of the lasers and camera lights, take precautions to protect nearby personnel from unintended exposure which could be temporarily blinding.
- Observe safe lifting and handling practices. Component parts of the VT-P320 and VT-I150 system are heavier than the recommended lifting load for a single person. Two people are recommended for lifting the vehicle.
- Never drop the vehicle. Although built tough, the vehicle is heavy and can suffer structural damage when dropped.
- Prevent impact to the front of the 901 lights, Spectrum™ 90/120 camera and Sapphire™ cameras as they can suffer damage.
- Eddyfi Technologies equipment is used in many varied environments from hot/dry to confined spaces to deep underwater. Such diverse environmental risks must be addressed by the operators who are trained to work in such surroundings. As such, the operators are responsible to determine safe site setup, work procedures and appropriate personal protective equipment (PPE) for setup and operation of the equipment.



WARNING: Trip Hazard - Never stand on the tether. The vehicle and winch are strong enough to pull it out from underneath you and cause you to fall. Standing on the tether may also cause damage to the internal conductors and decrease the life of the protective jacket.



WARNING: High Temperature - The camera head, 901 lights and harness block may become extremely hot during operation. Always wear protective gloves when handling these parts of the vehicle after they have been in use. Allow a cool-down period before handling without gloves.



WARNING: Mechanical Pinch Hazard – Rotating or moving components can draw fingers into a pinch position. Do not handle the vehicle while mobile parts are running, turn off power or disconnect the tether while reconfiguring or maintaining the vehicle.

System Setup

Working Environment

The control system (interface box, power supply, and Control computer) is to be used in a **dry, covered** environment only. These components are not waterproof. Keep all cords and cables away from water.

The **tether and vehicle** are depth rated to 60 m (200 ft) of water. The tether connector is a wet-mate type which may be wet when plugged in but cannot be plugged in underwater. Keep the tether connector capped with a dummy plug when not connected to the vehicle to help keep out dirt. The tracks are tolerant to sandy and muddy conditions, although this decreases seal life. The vehicle may also be operated in dry or dusty environments.

The portable reel and winch are splash resistant only. Refer to the reel manual.

To maximize component life and minimize deployment time it is recommended that the vehicle and tether be cleaned after use and the entire system stored in a dry, dust free, location.

System **storage temperatures** are between -20 °C – 60 °C (-4 °F – 140 °F)

System Power

Power Requirements

The power requirements given below are maximums for a fully configured system with cable reel. For use with a 115 VAC source, a fully configured VersaTrax™ system requires three independent standard 15 A circuits for power, or one 20 A and one 15 A circuits as follows.

	Power	Circuit	
Control Computer	400W	115 VAC @ 15 A	115 VAC @ 20 A
Monitor	25W		
Power Supply / Interface Box	1200W	115VAC @ 15 A	
Powered Winch	1200W	115 VAC @ 15 A	115 VAC @ 15 A
System Total	2825 W		

Set the Line Voltage

Before powering on the Versatrax™ system, it is important to check that the input voltage settings are correct - an incorrect voltage setting will damage the system power supply and the winch controller. When installing the system in a new location always check the line voltage.

- **Monitor:** Universal - no action required.
- **Computer:** Universal - no action required.
- **Interface Box:** Universal - no action required.
- **Power Supply:** Set the line voltage switch to 115/230VAC and change fuse.
 - For 115 VAC use 15 A MDA type fuse.
 - For 230 VAC use 10 A MDA type fuse.
- **Winch:** Jumpers must be set inside the hand-held controller to switch between 115 VAC and 230 VAC. Refer to the winch manual for instructions.



WARNING: Line Voltage Select – Failing to select the proper line voltage on the power supply and winch will result in equipment damage.

Generators / Inverters

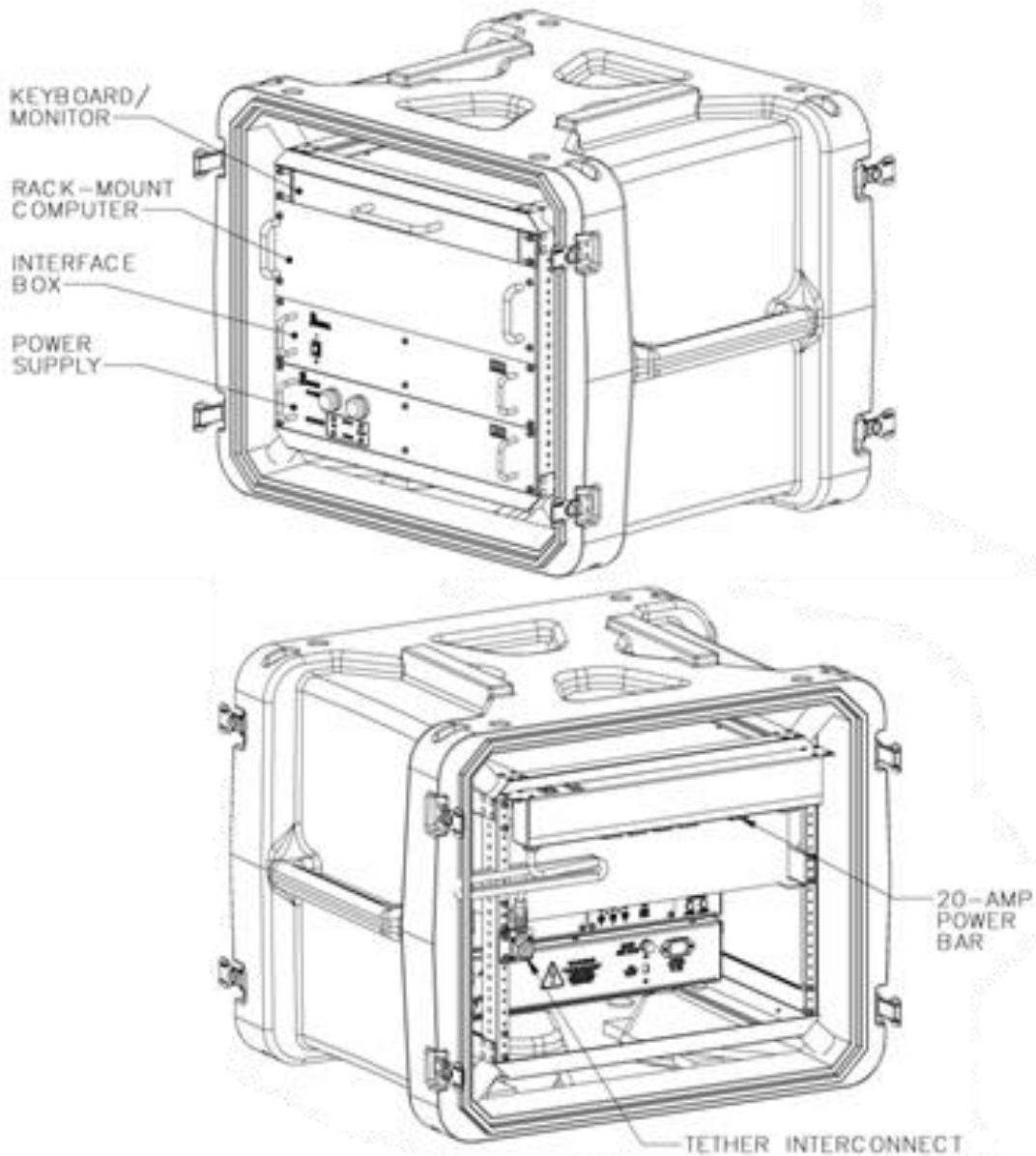
If powering the system from a generator or inverter, refer to that unit's operating manual for recommendations on continuous and peak load ratings. These power sources may apply a reduced output rating based on electrical load and environmental temperature. Remember to include the power needs of all other connected devices (external monitors, recording devices, lighting, etc.) when selecting a generator or inverter.

Document: UMDW014058.docm	Revision: A12	Created by: KW	Date: 14 Nov 2023	IPN: 3075415-A12
Source Location: C:\ePDM\ISLEng\products\dw-versatrax150mkii\manuals\UMDW014058.docm				Page 9 of 62

Connections

Pre-Configured Control Rack

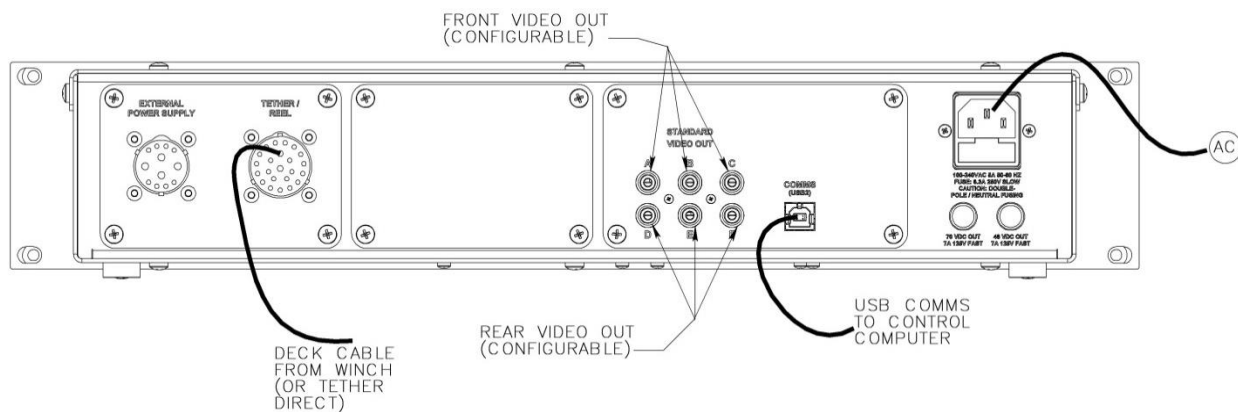
The monitor, computer, interface box and power supply are typically installed and connected in a shock-mount portable 19-inch rack case. Systems pre-configured in a control rack will only need the tether, winch and vehicle connections to be made before operations.



Control System Connections – SD Video

The ability to receive standard definition or high-definition video depends on the interface box used with the system. A standard definition interface box is depicted below which would be connected to the high voltage power supply.

1. Connect the power supply to the interface box using the supplied interface cable. Ensure the locking collars are screwed on all the way.
2. Connect the USB comms to the control computer.
3. Using equipment power cords connect the power supply and interface box to the 20-Amp power bar supplied with the equipment rack. Note that the power bar will only accept equipment power cords. The input cord on the power bar can be changed depending on the input voltage and location.
4. Connect the tether (or deck cable from the winch or reel) to the interface box as illustrated below.
5. Connect the front monitor or video capture to channels A, B or C (three-way splitter) and the rear monitor or video capture to channel D, E or F. These are the default output, but the connector assignments are also software configurable.



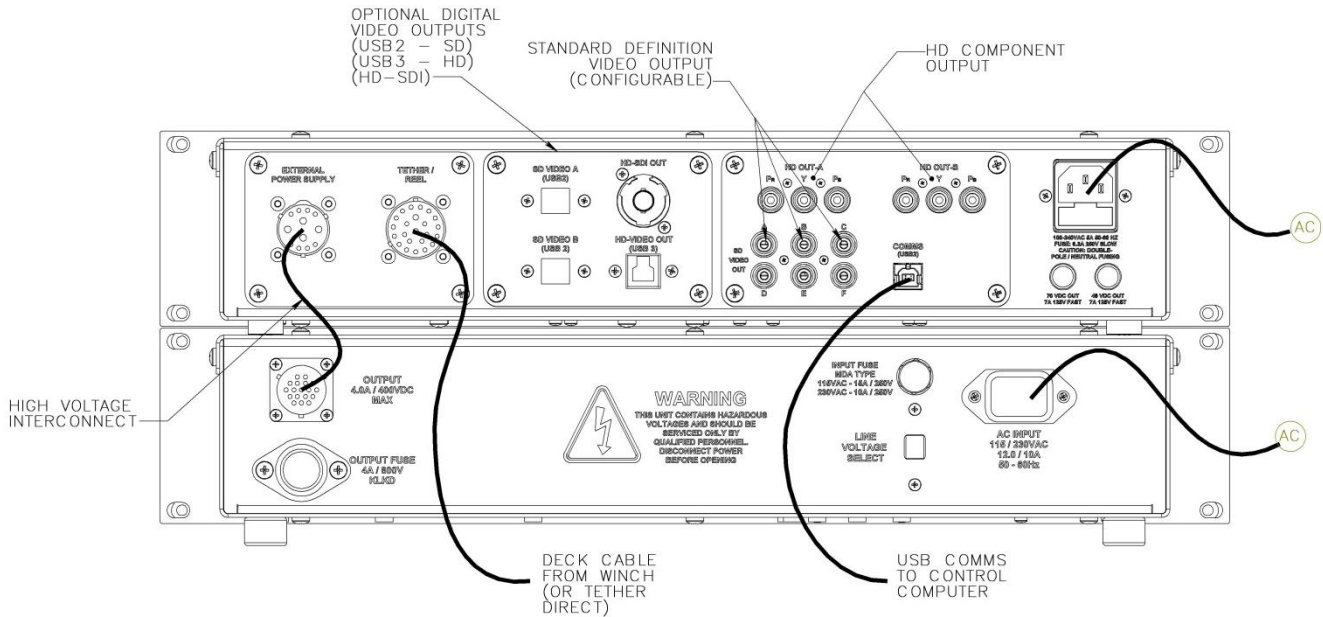
Control System Connections – HD Video

A high-definition interface box is depicted below which would be connected to the high voltage power supply. For an HD system make the following connections:

1. Connect the power supply to the interface box using the supplied interface cable. Ensure the locking collars are screwed on all the way.
2. Connect the USB2 comms to the control computer.
3. Using equipment power cords connect the power supply and interface box to the 20-Amp power bar supplied with the equipment rack. Note that the power bar will only accept equipment power cords. The input cord on the power bar can be changed depending on the input voltage and location.
4. Connect the tether (or deck cable from the winch or reel) to the interface box as illustrated below.
5. Different options may be present for SD video, depending on interface box model. If the interface box has an internal video capture card there will be two USB2 ports labelled Video A and Video B. These will be the front and rear standard definition cameras on the vehicle. Analog SD video is available as normal through the RCA connectors. Use A, B or C for front video (if this is an SD video system) and D, E or F for rear video. There are spare front and rear video outputs which can be connected to external monitors.

Document: UMDW014058.docm	Revision: A12	Created by: KW	Date: 14 Nov 2023	IPN: 3075415-A12
Source Location: C:\ePDM\ISLEng\products\dw-versatrax150mkii\manuals\UMDW014058.docm				Page 11 of 62

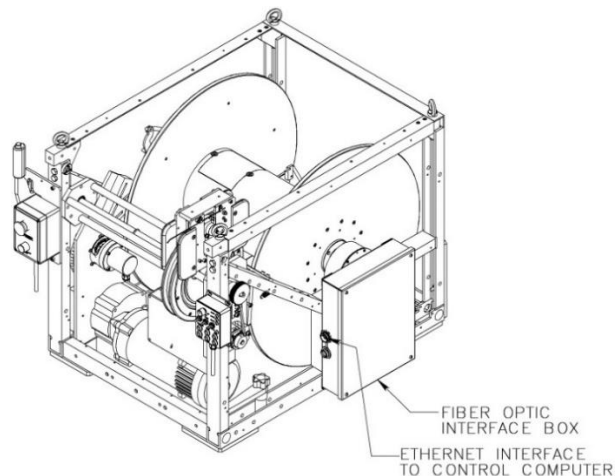
6. Options for HD video out include HD-SDI, USB3 (internal capture device) and component Pr-Y-Pb. These connectors are for the front High-Definition Camera. Spare connectors are active and may be connected to external monitors, capture cards or recording devices.



Fiber Optic Tether

Systems equipped with a fiber optic tether employ a fiber bundle running down the middle of the tether to transmit communications and video to and from the vehicle. The fiber bundle is terminated through a slip ring into an interface box mounted to the side of the winch. All the necessary fiber receiver equipment is in the interface box. From the interface box, video signals are routed through the deck cable as they would through a copper tether, and control communications connect directly to the control computer through an Ethernet cable.

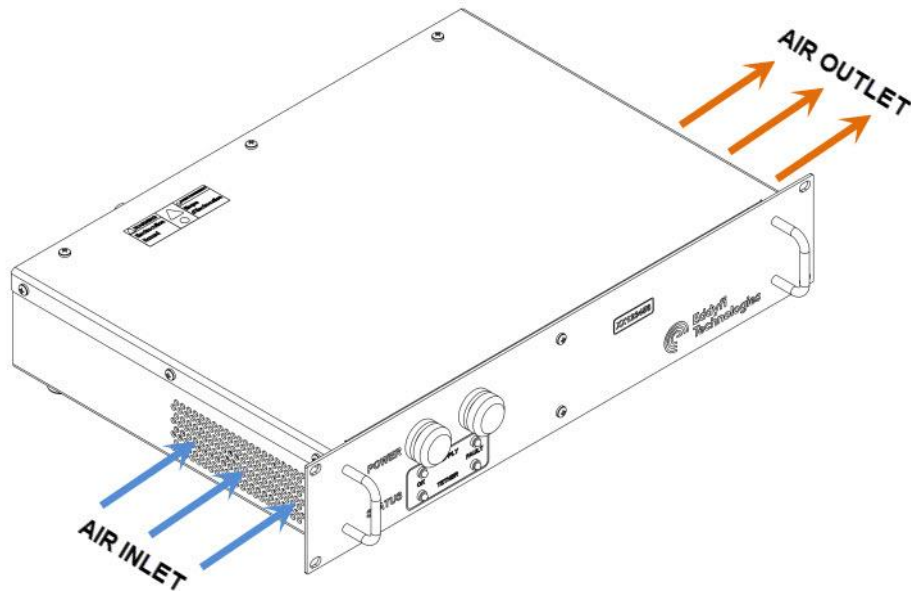
See the winch manual for detailed operating instructions.



Document: UMDW014058.docm	Revision: A12	Created by: KW	Date: 14 Nov 2023	IPN: 3075415-A12
Source Location: C:\ePDM\ISLEng\products\dw-versatrax150mkii\manuals\UMDW014058.docm				Page 12 of 62

Client Configured Rack

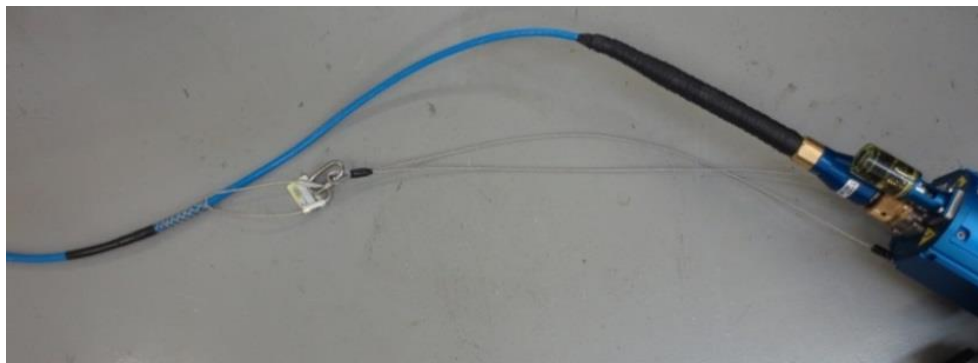
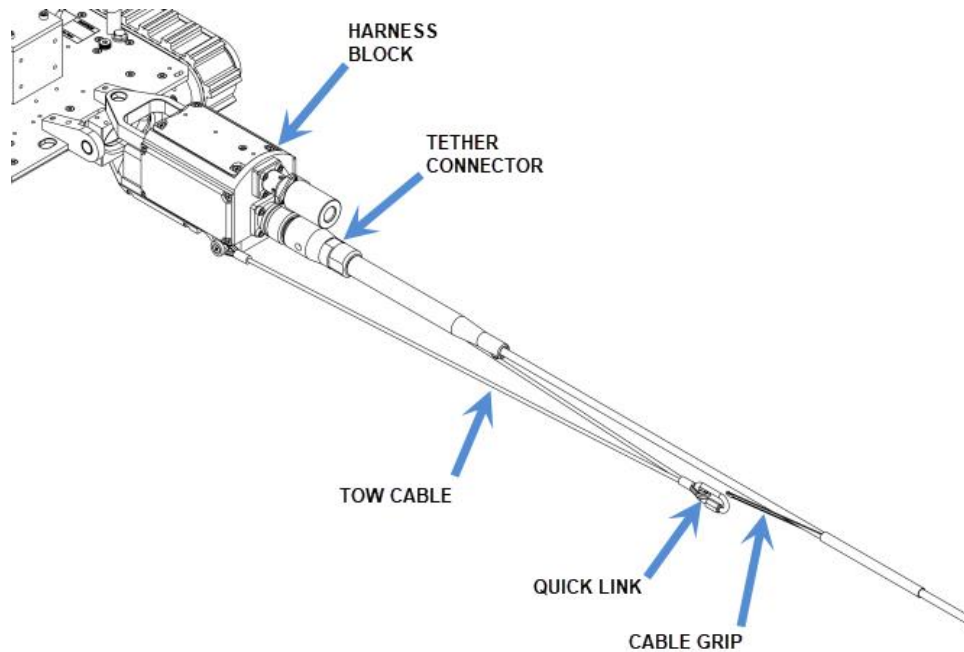
If you are installing the power supply and interface box into your own 19 in rack installation, consideration must be given to adequate air flow for cooling the power supply. In any installation, ensure that the air inlet and outlet at the sides of the power supply are free of obstructions. The system could overheat if airflow is restricted. The front or back of the 19 in rack must also be open for air flow.



Vehicle and Tether

It is important that the tether be properly connected to the vehicle – otherwise damage to the system may result.

1. Connect the vehicle end of tether to the back of the integrated harness block. Visually line up the key in the connector before mating. Fully screw down and hand-tighten the locking collar.
2. Secure the tow cable to the cable grip on the tether using the quick link. Adjust the cable grip position to maintain a small amount of slack tether regardless the direction the tether is pulled, as illustrated below.
3. Verify all device whips from the harness block to their respective components are securely connected, and the whips are free from damage.
4. Ensure any unused connectors are capped with dummy plugs to insulate and protect their electrical contacts.
5. Tether connection to the parallel and inline vehicles are identical.



Document: UMDW014058.docm	Revision: A12	Created by: KW	Date: 14 Nov 2023	IPN: 3075415-A12
Source Location: C:\ePDM\ISLEng\products\dw-versatrax150mkii\manuals\UMDW014058.docm				Page 14 of 62

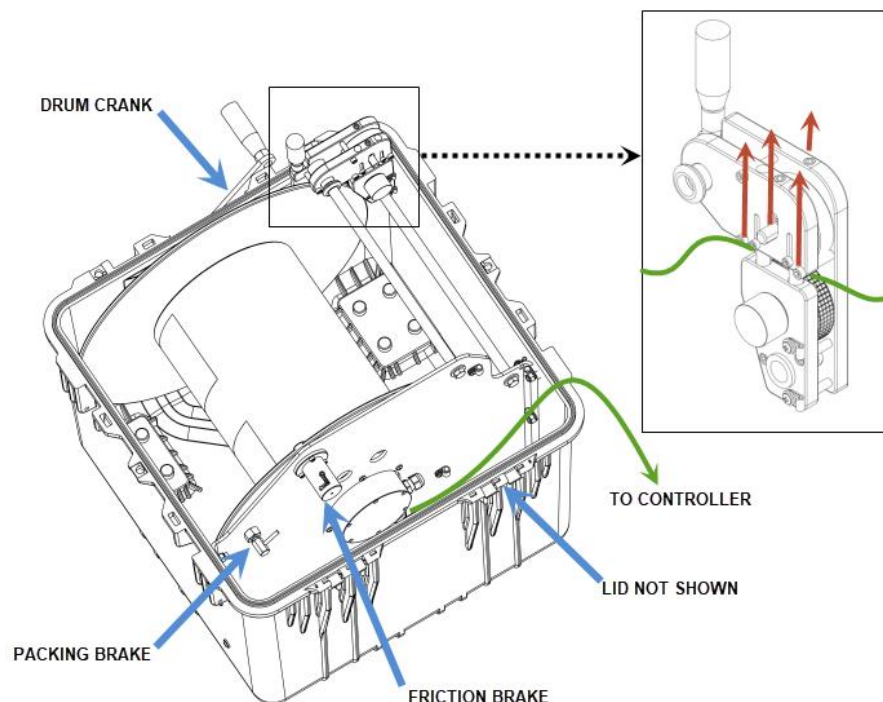
Winch Installation

If your system includes an AC powered winch refer to the winch manual for setup and installation instructions.

Portable Reel Setup

If your system includes a portable reel, follow these steps to operate:

1. Remove the shipping cap from the front of the case and insert the crank handle.
2. Connect the deck cable from the reel to the controller.
3. Disengage the packing brake (pull back and turn on the locking pin).
4. Make sure the friction brake is engaged; disengaging the friction brake can result in slack tether potentially jamming the reel.
5. Unwind some tether and connect the tether to the vehicle.
6. Run the tether through the level wind as follows:
 - a. There is an access slot which must be opened by lifting up the two exposed screw heads to raise the tether support shafts.
 - b. Pull up on both sides of the axle on the top wheel and slide the tether beneath it - failing to lift up on the wheel can scuff and damage the tether.
 - c. Make sure that the two wheels that sandwich the tether top and bottom in the level wind are tracking properly as the tether is paid out - this tells the controller how much tether the reel has unwound and how far your vehicle has travelled.



Tether Handling

The tether is one of the most important parts of the system. It feeds power and control signals to the system and returns data to the controller. If the tether is damaged from improper use, poor handling or an accident, the system may become inoperable. This could lead to significant downtime, loss of production, and avoidable costly repairs. It is encouraged to stress the importance of the tether and its care to anyone operating or maintaining the system. For maximum tether life and reliability, we recommend the following tether handling tips.

- Do not step on the tether.
- Do not drive over the tether.
- Do not bend the tether beyond its minimum bend radius.
- Do not kink the tether.
- Do not snap load the tether.
- Avoid loading the tether whenever possible.
- Always use the cable grip strain relief if applicable to your system.
- Regularly inspect the tether for damage.
- Regularly clean the tether.

Note: Protecting the conductors inside the tether is critical to the life and operation of the tether. Proper tether handling and care will result in extended tether life and system reliability.

Connector Handling

Connectors are an essential part of system reliability. They should be properly maintained and cared for to ensure long life and reliability. It is recommended to follow these steps to help prevent damage and increase the life of connectors.

- Always put the cap back on the tether bulkhead when the tether is disconnected.
- Always inspect the end of the connector prior to engaging.
- Never plug in a dirty or damaged connector.
- Visually align keyways or locating pins prior to engaging the connector.
- Always fully engage or tighten the connector.
- Secure locking collars finger tight.
- Install dummy plugs on unused connectors.
- Disconnect by pulling straight, not on an angle.
- Do not pull on the cable to disengage the connector.



IMPORTANT: Never “Hot Plug” any connector, this will result in internal damage to the electronics. Power down the system prior to connecting the inspection system tether.



Never use WD-40 or similar solvent-based fluids on connectors or crawlers. These will cause the rubber parts of the connector or crawler to soften and swell rendering them inoperable.

Document: UMDW014058.docm	Revision: A12	Created by: KW	Date: 14 Nov 2023	IPN: 3075415-A12
Source Location: C:\ePDM\ISLEng\products\dw-versatrax150mkii\manuals\UMDW014058.docm				Page 16 of 62

SubConn Connectors: Lubrication and Cleaning

- Periodically apply Molykote 111 silicone grease or equivalent before mating connectors.
- For dry mate connections, a layer of grease corresponding to 1/10 the socket depth should be applied to the female connector.
- After greasing, fully mate the male and female connector and remove excess grease from the connector joint.
- General cleaning and removal of sand or mud on a connector should be performed using a spray-based contact cleaner like isopropyl alcohol.

Impulse Connectors: Lubrication and Cleaning

- Lubricate mating surfaces regularly with 3M Silicone spray or equivalent, DO NOT GREASE.
- Lubricate O-rings with Molykote 111 or equivalent.
- Use dust caps to protect connectors wherever possible.
- Clean connectors with soap and fresh water, rinse out with alcohol and allow connector to air dry before using.

System Installation

The following describes a typical installation scenario recommended by Eddyfi Technologies.

Vehicle Layout

A typical set up for a pipe inspection system is based on a covered two ton or larger box truck. The truck carries the power source (generator) and houses the power supply and control system in a dry, covered environment. The computer / control console and recording equipment are placed in an office-like room built into the truck. The rear wall of the truck should open completely. The winch, crane and other equipment can be mounted at the back of the truck box near the door for easy deployment. The truck should also contain the maintenance space with ample bench room for maintaining, configuring, and washing down the vehicle and equipment.

The vehicle should be operated by a crew of at least two. Most importantly, a person should always be available to tend to the tether. This person may also play a role in vehicle inspection and deployment. A second person drives the vehicle, conducts the inspection, and ensures a good recording.

The operations crew should be able to communicate quickly with each other to allow fast response in case of an emergency like a tether hang up. It is recommended that a signal system be set up so that the operators may work efficiently and safely as a team. It is always advantageous for both operators to be aware of full system status.

Document: UMDW014058.docm	Revision: A12	Created by: KW	Date: 14 Nov 2023	IPN: 3075415-A12
Source Location: C:\ePDM\ISLEng\products\dw-versatrax150mkii\manuals\UMDW014058.docm				Page 17 of 62

Vehicle Handling

Because the vehicle is heavy, some handling equipment is recommended for a permanent system installation:

The first of these is a swinging overhead boom for vehicle deployment which must hold the payout sheave axle at least 2.75 m (9 ft) above ground level. The capacity of the arm needs to be at least 450 kg (½-tonne) at full extension - enough for full vehicle weight plus full winch power. The payout sheave diameter should be at least 250 mm (10 in) to help prevent tether fatigue.

An electric cable hoisting winch with at least 450 kg (½-tonne) load capacity is necessary to raise and lower the vehicle. The cable on this hoist needs to be long enough for the deepest expected deployment.

Eddyfi Technologies recommends a dedicated work bench for vehicle configuration and maintenance. Ideally this is at least 0.75 x 1.5 m (30 x 60 in) and is accessible from both sides. The lower portions of the bench may be equipped with racks or drawers where tools, spare parts, and fasteners are kept.

Communication

Establish a good channel of communication between the operator and deployment personnel: whether this is a system of signals, PA system or audio headsets. Good communication can avoid accidents, damage to the equipment, and promotes efficiency and productivity. The person deploying the vehicle and watching the tether must be able to quickly tell the operator to stop the vehicle when something goes wrong. Because he is situated in the office-like van, the operator is often provided with a CCTV system or view port so he can see directly what is happening with tether payout. It is best practice for the operator never to turn on power or initiate movement without first communicating with the vehicle handler.

Personnel Requirement

A typical pipe inspection van operation usually requires two people for operations:

- **Console Operator:** This person is responsible for driving the vehicle, watching the pipe and making comments about the location and pipe condition. It is also the operator's responsibility to assess whether a pipe is in the appropriate condition for safe passage of the vehicle or if there is a risk of getting stuck. The operator may also assist in general site setup (cones, warning signs, etc.), vehicle maintenance and configuration.
- **Deployment / Tether Handler / Field Maintenance:** This person has several tasks including:
 - Configuring the vehicle for the current pipe.
 - Lowering the vehicle in and out of the manhole.
 - Watching the tether as the vehicle enters and exits the pipe.
 - Operating the winch and winding the tether during recovery.

Document: UMDW014058.docm	Revision: A12	Created by: KW	Date: 14 Nov 2023	IPN: 3075415-A12
Source Location: C:\ePDM\ISLEng\products\dw-versatrax150mkii\manuals\UMDW014058.docm				Page 18 of 62

Vehicle Configuration
Minimum Bend Sizes
Parallel Vehicle Bend Radius

As the pipe becomes smaller, the minimum bend radius a given vehicle can navigate also becomes restricted. The following table lists the minimum bend radius for different sizes of pipe based on a 90-degree bend, internal pipe diameters, and the standard parallel chassis configuration.

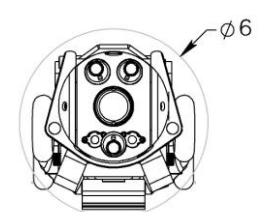
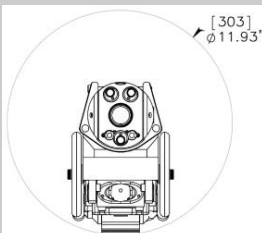
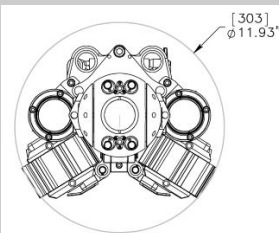
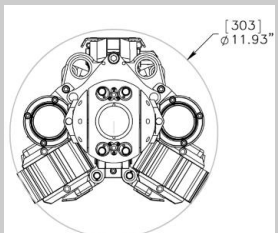
Nominal Pipe ID	Bend Radius to Centerline
305 mm (12 in)	Straight
355 mm (14 in)	5D – 1,780 mm (70 in)
405 mm (16 in)	3D – 1,220 mm (48 in)
455 mm (18 in)	1.5D – 685 mm (27 in)
510 mm (20 in)	1D – 510 mm (20 in)

VT-P320
Chassis Pipe Sizing

The Inner Diameter of a pipe is often hard to predict. A typical pipe of given “standard” size may vary greatly because of different manufacturers, standards, age (vintage and antique pipes), out-of-roundness, custom fabrication, corrosion, sediment & residue build-up and the presence of flanges, adapters, and chill rings! While these things rarely stop an inspection in larger pipes, the effective Inner Diameter becomes critical in the smaller sizes where clearances are tight and pipe variance can cause a jam. Therefore, this manual will refer to a pipe’s measured Inner Diameter rather than nominal sizes where needed for critical fits.

The following chart details the relation between a pipe’s inner diameter and the recommended VT-P320 or VT-I150 chassis type for that diameter.

Parallel & In-Line Chassis Size Range

Inner Diameter	VT-I150	VT-P320 Manual-Raise	VT-P320 Motor Camera Raise
150mm (5.9 in) – 318mm (12.5 in)	Yes 	No	No
303mm (11.93 in) – 318mm (12.5 in)	Yes (Preferred) 	Fits- but not preferred. 	Very tight fit – not recommended. 
318mm (12.5 in) and larger	Yes – but not recommended.	Yes	Yes

To fit through specific ID pipes, the chassis hinges and camera raise mechanism must be adjusted. To adjust the hinges:

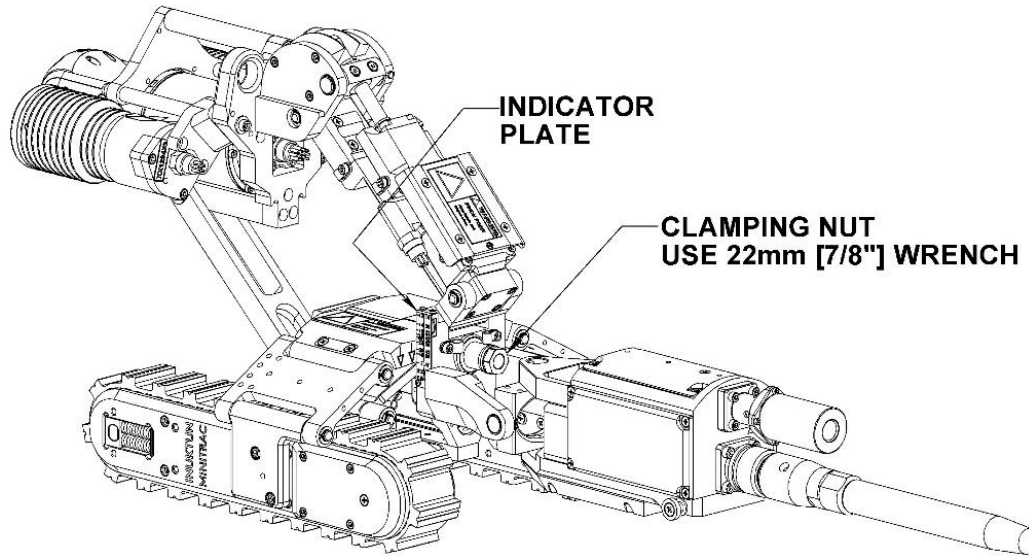
1. Loosen the clamping nut; make sure the camera bed is far enough forward to provide access.
2. Adjust the hinges using the indicator plaque at the back of the chassis; the sizes indicated are **nominal internal diameters** (there is a line scribed on the main hinge that is used indicate pipe sizes). Markings on the chassis are generalized nominal sizes and are not intended as an accurate guide. For accurate positioning, use a sample pipe length for setup of the same ID as the target pipe.



WARNING: Pinch Hazard – Exercise extreme caution while adjusting the track hinges not to pinch your fingers in the linkages.

3. Once the hinges are set, re-tighten the clamping nut.

Note that there are two columns of numbers on the indicator plate. “**STD**” is for the **standard** chassis setup, while **XT** is for when the track **extension plates** are installed.



Powered Camera Raise



Note: When using powered camera raise the vehicle’s minimum working inner diameter is Ø318 mm (12.5 in) to allow room for the mechanism. For pipe sizes Ø317 mm and below we recommend using the In-Line chassis.

The camera raise needs to be zeroed before each use. Click the calibrate button on the ICON™ interface after system startup. The mechanism will lower itself to its lowest position, detected through a magnetic switch. Note that the operator can control the motorized camera raise before calibrating after system startup however the operator will not have any position feedback and it may be possible to hyperextend the mechanism.



Note: The Powered Camera Raise will **not** position feedback until it is calibrated using ICON (Controller Software).

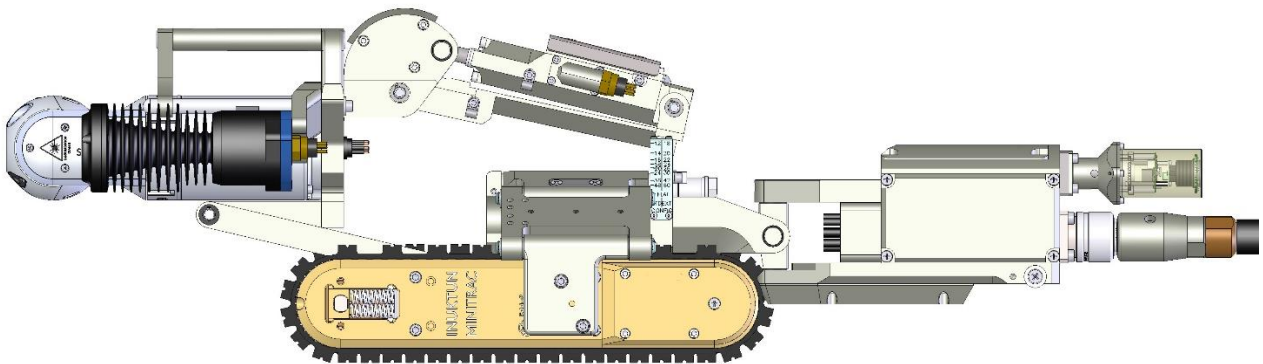


Warning: Keep hands clear of the camera raise when in operation as it presents a potential pinching hazard.



Note: Always make sure there are no obstructions to the camera's movement before operating the camera raise.

When packing the VT-P320 system into the optional Pelican shipping case with the powered camera raise installed, make sure to adjust the height of the camera to its shipping height before powering down the system. For packing, the tracks should be set FLAT, and the height of the camera should be between 115 – 130 mm (4.5 – 5 in) measured from the floor to the support bar underneath the camera.



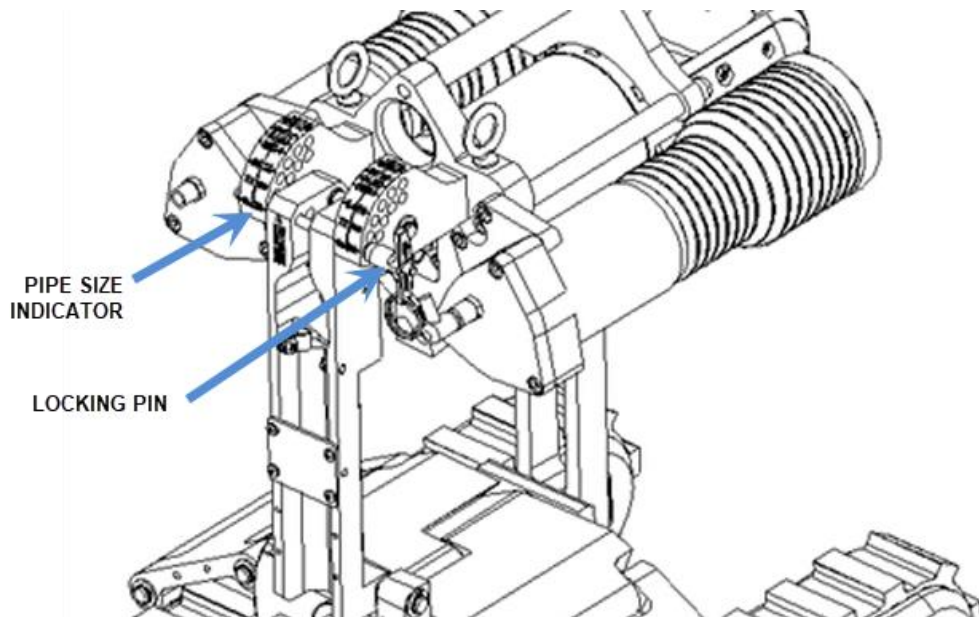
Manual Camera Height Adjustment

If the VT-P320 has a manually adjustable camera bed the height of the camera may be adjusted as follows:

1. Remove the push button locking pin.
2. Adjust the height of the camera to the nearest locking hole.
3. Re-insert the locking pin.

*Note that there are two columns of numbers on the indicator plate. **STD** is for the **standard chassis** setup, while **XT** is for when the track **extension** plates are installed.*

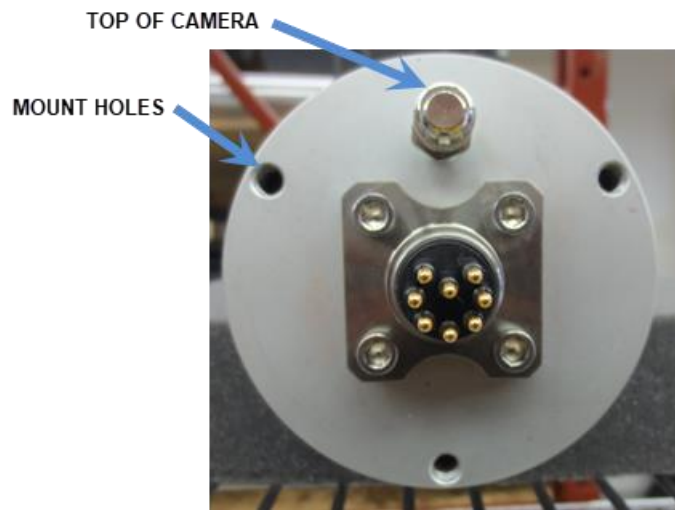
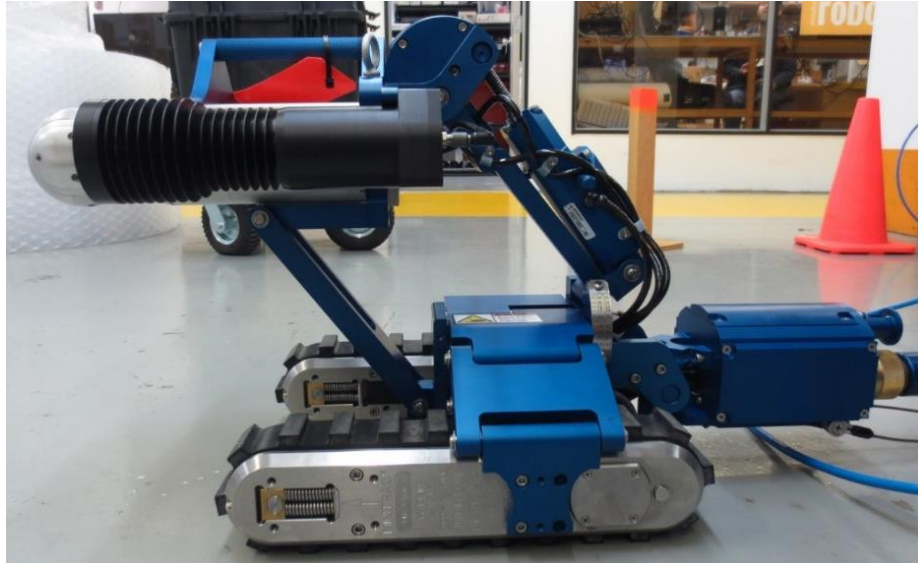
Document: UMDW014058.docm	Revision: A07	Created by: KW	Date: 14 Nov 2023	IPN: 3075415-A07
Source Location: C:\ePDM\ISLEng\products\dw-versatrax150mkii\manuals\UMDW014058.docm				Page 22 of 62



Spectrum™ 90 Installation

The VT-P320 can mount any of the Spectrum™ 90/120/120HD™ cameras. Installation is typical for all three camera types as follows:

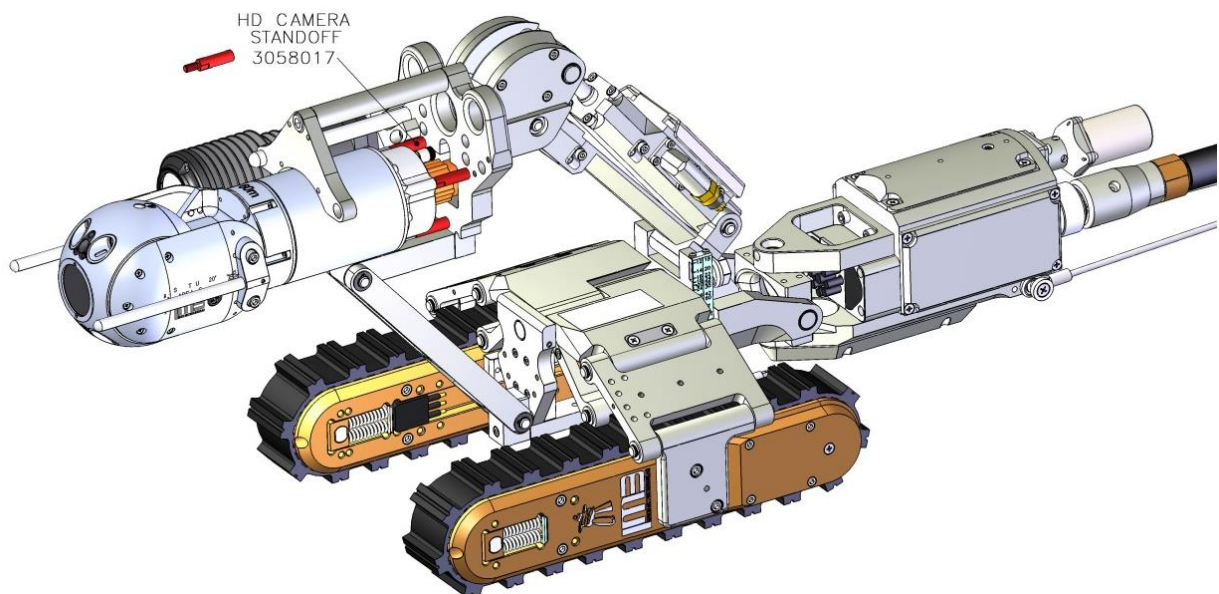
1. Adjust the camera bed to the position shown below. This will allow access to the camera mounting screws. If a motorized camera raise mechanism is installed the system will need to be powered up and raised into position. **ALWAYS** turn off the system before working near the raise mechanism pinch points, which may cause injury to fingers and hands.
2. The purge valve indicates the top of the camera, as shown in the figures below. Mount the camera with the valve on top.
3. Slide the camera into position from the front of the camera bed.



4. Install the connector while the camera is part way in. Push the whip connector **all** the way onto the camera. Make sure there is no gap between the rubber faces of the connectors. Screw the locking collar onto the bulkhead connector; finger tight is good. Periodically apply a small amount of silicone grease to the connector to keep it lubricated; however, avoid too much grease in the female socket (vehicle side) because this can make the connector difficult to plug in.
5. Move the camera all the way to the rear tight to the camera mounting plate. Slide the connector into the square opening and install the camera screws. Use **M6 x 16 mm SHCS** – note that older cameras may use ¼-20 x 5/8-inch SHCS.

Spectrum™ 120HD Installation

Because of the larger connector on the SP120HD™ camera, it is necessary to use spacers behind the camera to make room for the connector as shown below. Thread the spacers into the back of the camera and mount using 3x M6 x 16 mm SHCS as per the previous section.

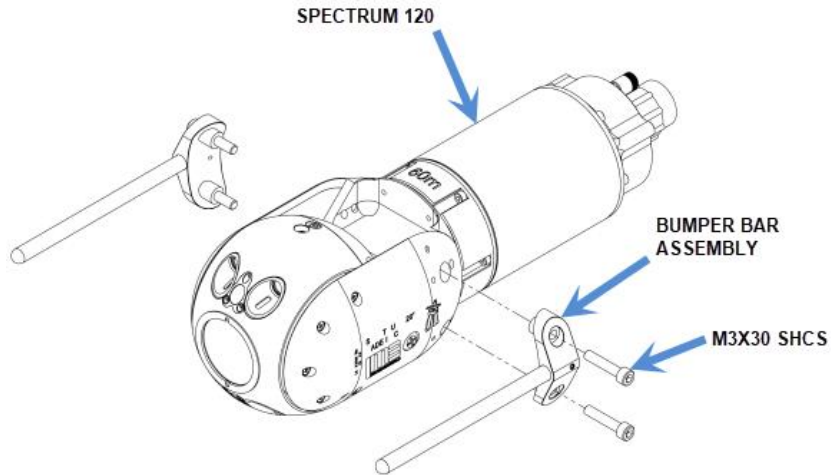


Spectrum™ 120 Bumper Bars

Bumper bars for the Spectrum™ 120 are installed directly onto the camera's rotating head. Typically, the bumper bars are installed at the factory during system assembly but can be retrofitted as follows:

1. Remove the two rear screws (M6 x 14 mm SHCS) from the camera side-plates – *do one side plate at a time and make sure to hold the side-plate secure so it does not come loose from the camera.*
2. Install the bumper bar assembly using 2x M6 x 30 mm SHCS – *use blue Loctite 243.*

Removal is the reverse of installation.

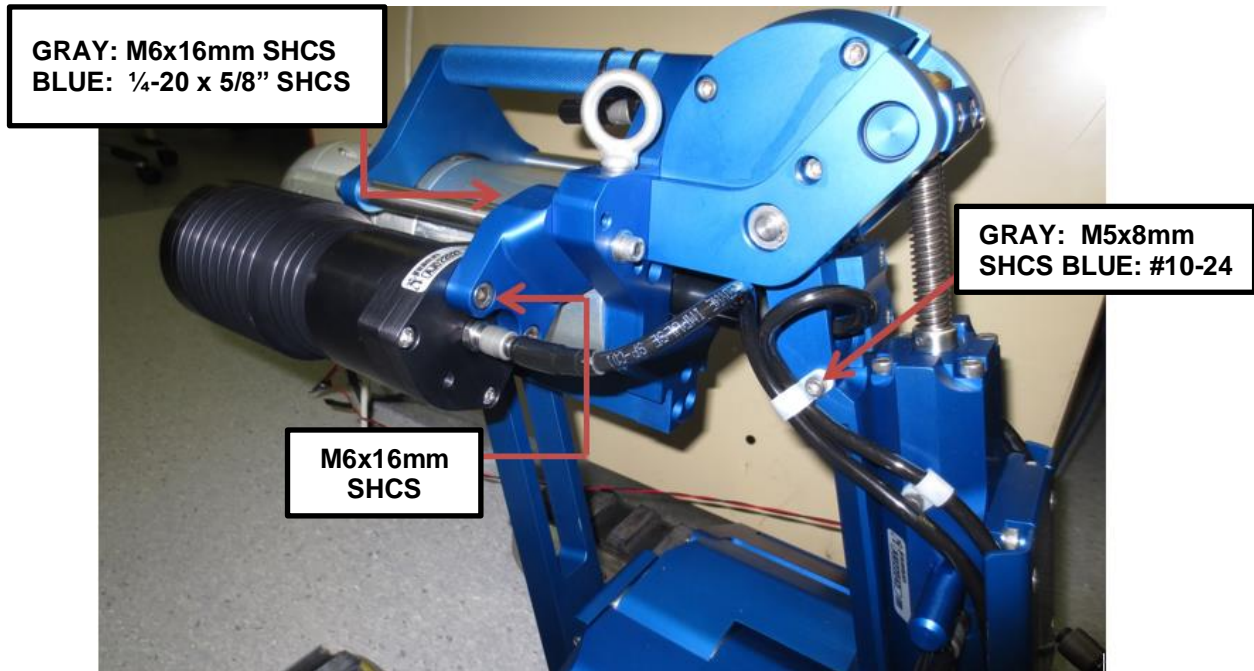


Light Installation

Light Mount When Using Standard Length Tracks

The 901 lights are installed onto the camera mount plate via mounting bracket as follows:

1. If the 901 mounting brackets are not installed, attach them to the back of the camera mount plate using:
 - a. Older blue anodized chassis' use ¼-20 x 5/8 in SHCS
 - b. Hard gray anodized chassis use M6 x 16 mm SHCS
2. Attach the lights to the front of the brackets using 2x M5 x 16 mm SHCS each.
3. Connect the whips to connector on the back of the lights, grease both the male and female connectors with a dab of silicone grease.
4. Make sure the whips are routed properly through their P-clamps as shown (automatic camera raise routing shown).



Light Mount for Extended Tracks

When the extended tracks are installed, a different light bracket must be used to avoid interference between the end of the tracks and the lights.



WARNING: Reduced Clearance. With the 901 lights installed with the extended-length tracks, the vehicle will no longer fit into a 305 mm (12 in) ID pipe. Minimum pipe size is increased to 355 mm (14 in)

To install the light mount:

1. Disconnect the lights and remove the regular light mounts from the frame.
2. Remove the camera.
3. Remove the bumper bar holder (3/8-16 x 6 in SHCS).
4. Slide the light holder bracket over the bumper bars until it is 19 mm (0.75 in) away from the back plate.
5. Use 2x M6 x 10 mm nylon tipped SSCREWS to secure holder to the bumper bars.
6. Reinstall the bumper bar holder and camera.
7. Install the lights onto the brackets using 2x M6 x 16 mm SHCS.

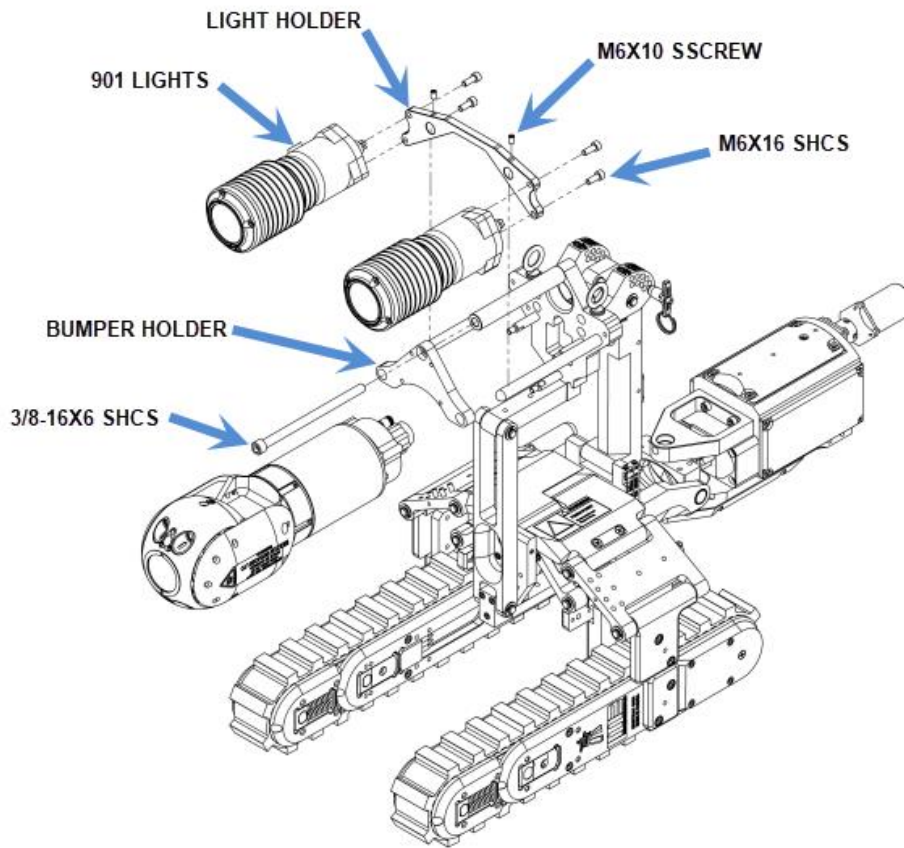


FIGURE 1: 901 LIGHT INSTALLATION – EXTENDED TRACKS

Track Installation

To install the tracks onto the parallel chassis, the vehicle must be configured as follows:

- a. Lower the camera raise to the lowest position so the vehicle can be turned over.
- b. Power the system down and disconnect the tether.
- c. Remove any ballast weights.
- d. Adjust the track hinges to the smallest pipe setting so that the inside screws are easily accessible.

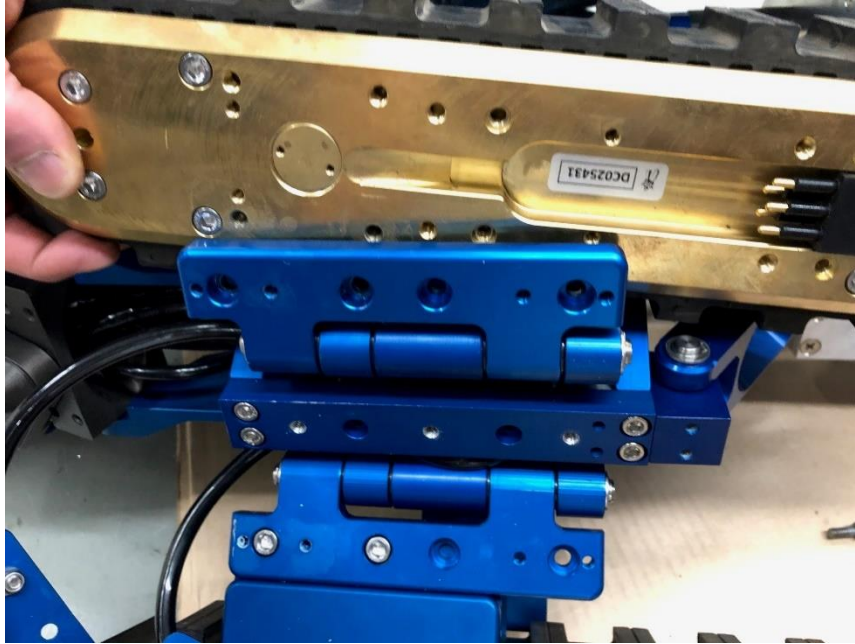


WARNING: High Voltage 400 VDC. Always make sure the system is powered down and disconnected before performing any maintenance. 400VDC can cause serious injury and death.

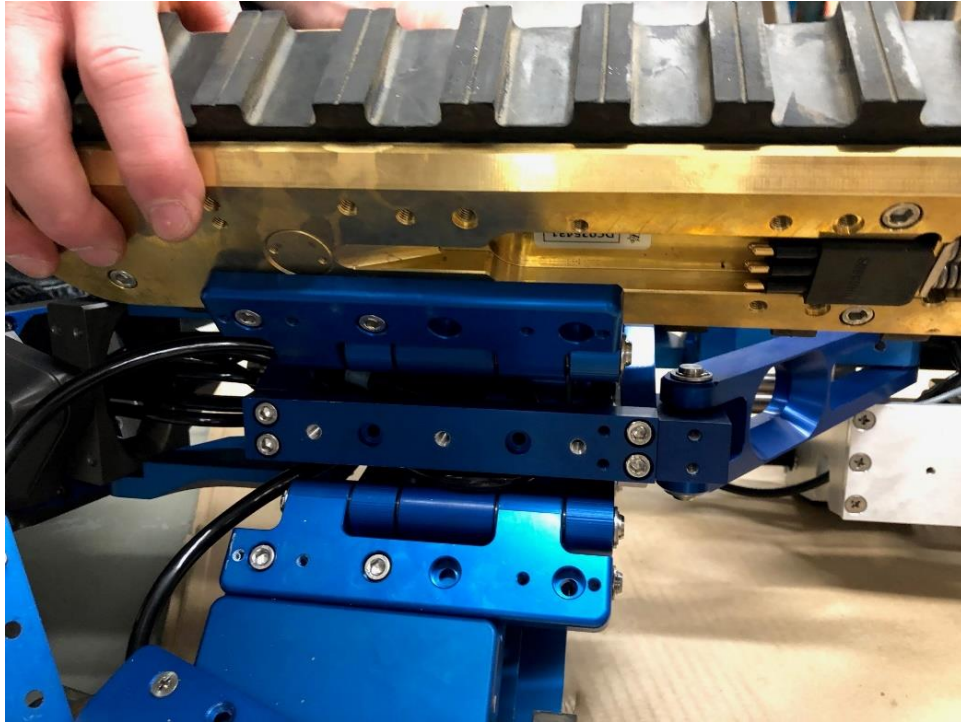


Once the vehicle is properly configured, install the tracks as shown below:

1. Lay the track onto the inner hinge as shown. The beveled ledge on the track should rest on a step inside the hinge so that the bolt holes are at the correct height.
2. Bolt the inside link in place using 2x M6 x 16 mm SHCS and Loctite 243 (blue). Use the two rear screw positions as shown.

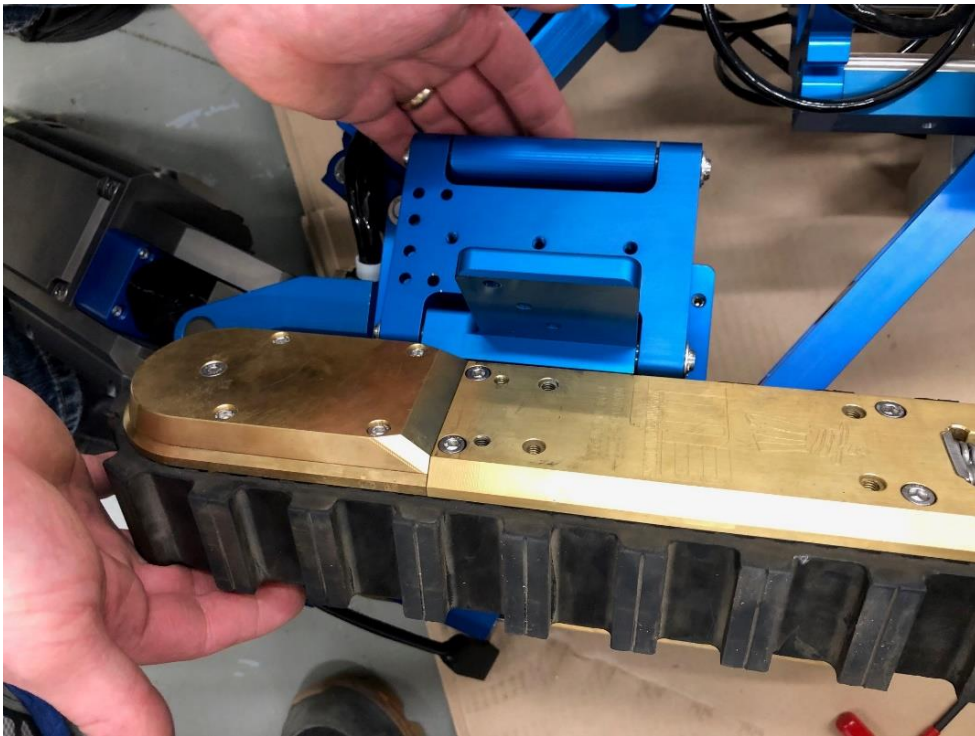


STEP 1



STEP 2

3. Tip the vehicle to access the outside hinge.



STEP 3



STEP 4

4. Secure the outside hinge using 2x M6 x 16 mm SHCS and Loctite 243 (blue).
5. Secure the cabling as shown in the final illustration. The angled clamps are held on using M5 x 12 mm FHMS. The outside screw secures the cable with a P-Clip underneath.

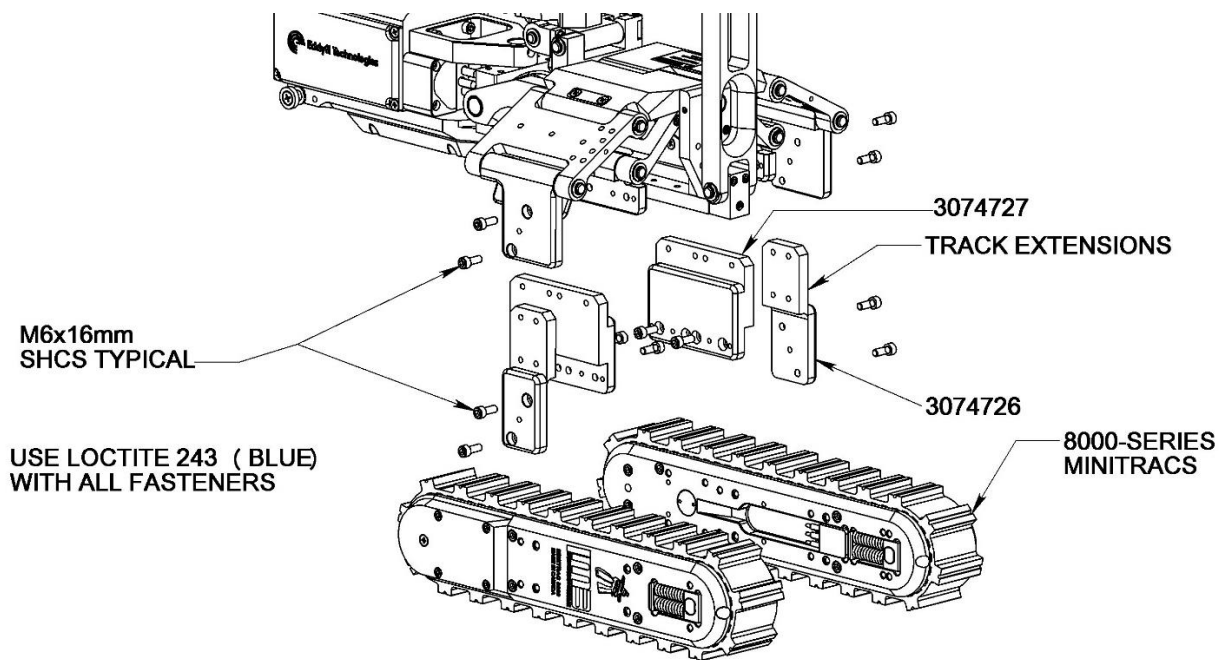


STEP 5

Document: UMDW014058.docm	Revision: A07	Created by: KW	Date: 14 Nov 2023	IPN: 3075415-A07
Source Location: C:\ePDM\ISLEng\products\dw-versatrax150mkii\manuals\UMDW014058.docm				Page 31 of 62

Track Height Extensions

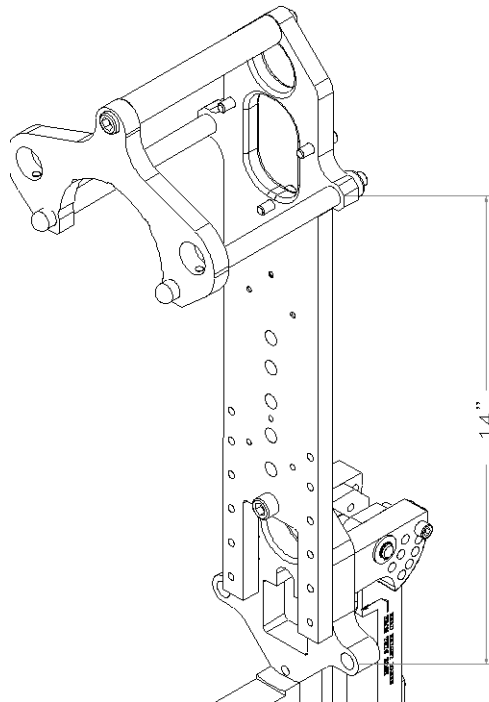
Track extension plates simply bolt onto the outer hinges using M6 x 16mm socket cap screws. The tracks then bolt onto the extension plates as they normally would on the chassis as explained in the previous section. Extension plates increase the ground clearance of the vehicle from 41 to 69 mm (1.6 to 2.7 in), depending on chassis configuration. With the extensions installed, the pipe sizes on the indicator plate are read from the **XT** column. Also note that the distance from the face of the P-Clips (see preceding section) to the face of the track connectors must be increased from 310 mm (12 in) to 380 mm (15in) by extracting cable length from inside the track hinges, and an additional 8 mm (0.31 in) P-Clip must be installed on the inside extension plate in the hole provided.



Spectrum™ Camera Extension

The optional camera raise extension is a bolt-on bracket which raises the camera by 356 mm (14 in).

1. Remove the camera, handle, bumper bars and mount, and lights and brackets from the vehicle and install them on the extension bracket. The top of the extension bracket is made with the same profile as the original camera mount.
2. Bolt the extension bracket onto the original camera mount. The fasteners used depend on the chassis color. The height of the bracket can be adjusted to six different positions.
 - a. **Blue** anodized chassis – 2x ¼-20 x 5/8 in SHCS from the back and 1x 3/8-16 x 1¼ in SHCS from the front.
 - b. Hard **gray** anodized chassis – 2x M6 x 16 mm SHCS from the back and 1x M10 x 20 mm SHCS from the front.
3. Mount the camera and lights as usual on the extension bracket.
4. Install the supplied wiring harness extension to the camera and lights.



Document: UMDW014058.docm	Revision: A07	Created by: KW	Date: 14 Nov 2023	IPN: 3075415-A07
Source Location: C:\ePDM\ISLEng\products\dw-versatrax150mkii\manuals\UMDW014058.docm				Page 33 of 62

Rear Camera Installation

The VT-P320 system comes standard with a rear facing Sapphire™ camera. A bulkhead connector, mounting collar and dummy plug is included with the harness block at the back of the vehicle.



WARNING: High Voltage. The bulkhead connector is supplied 36-70 VDC. This connector must be plugged with a protective cap whenever the Sapphire camera is removed. Fatal shock or system damage may otherwise result. Never operate the system with this connector open.

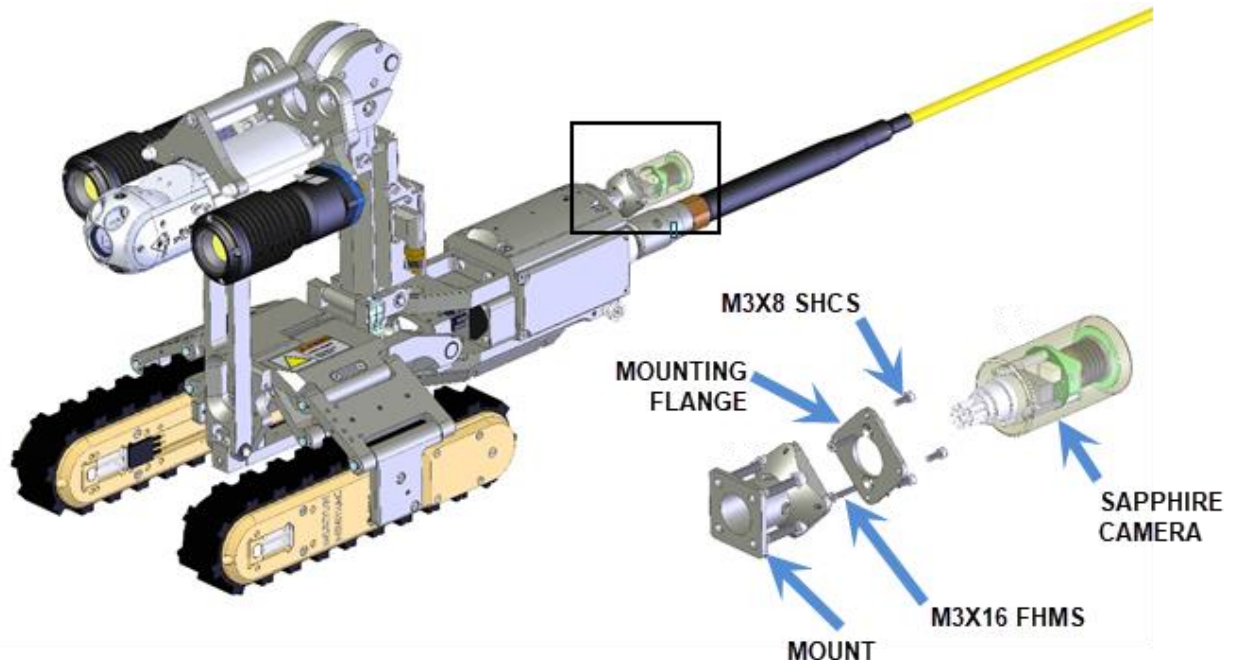


Note: The Sapphire camera uses a higher voltage and different pin-out than the Amber™ camera which is used on other Eddyfi Technologies equipment. You cannot use the Amber with the VersaTrax™ system. Attempts to install the Amber camera will damage the connector and burn out the camera.

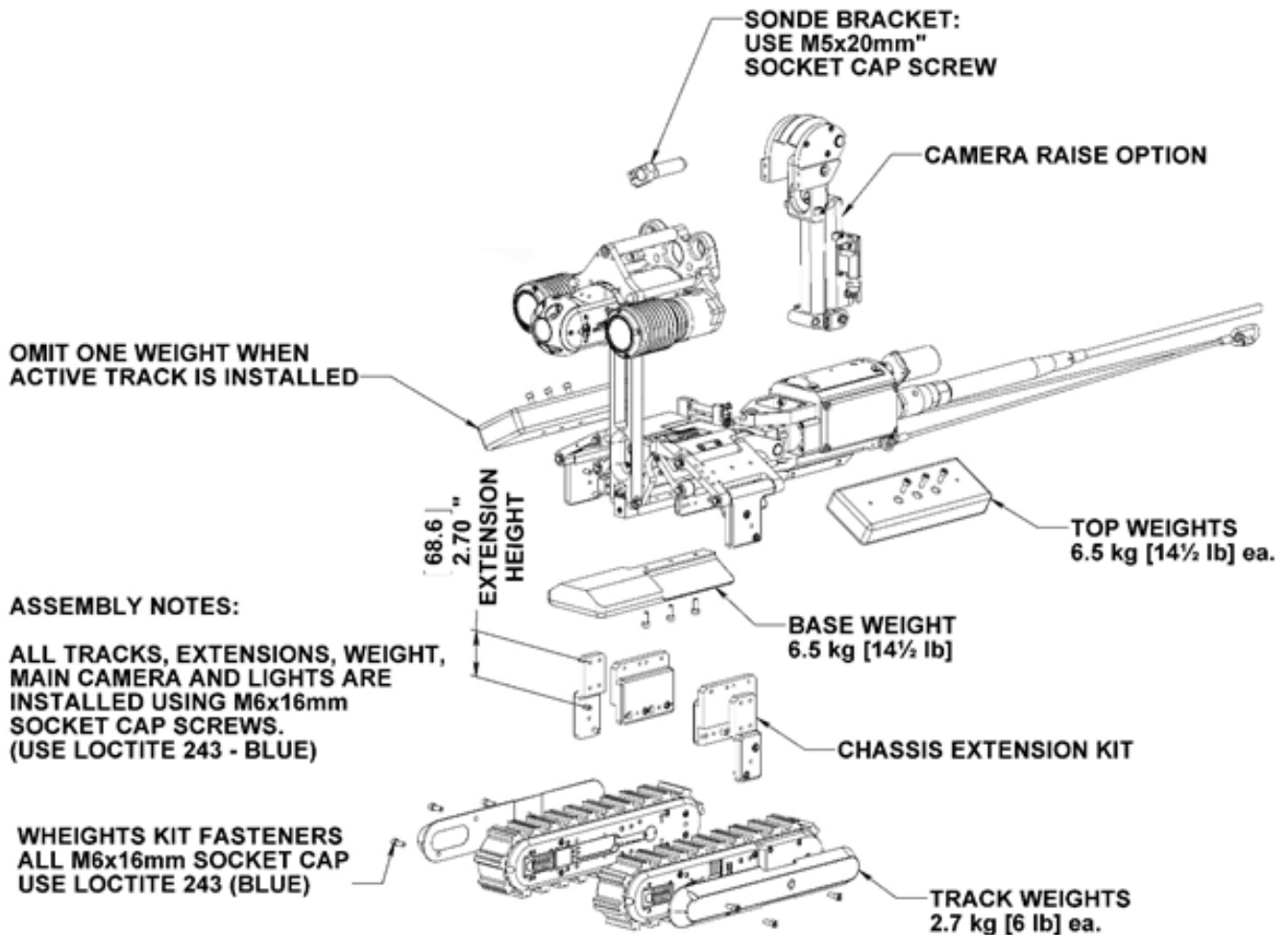
To install the Sapphire camera if not installed, do the following as shown below:

1. Remove the dummy plug from the rear bulkhead connector.
2. Attach the mounting flange to the back of the Sapphire camera using 2x M3 x 16 mm FHMS.
3. Plug the camera into the bulkhead connector – *make sure to align the mating pins and grease the male connector.*
4. Screw down the mounting plate using M3 x 8 mm SHCS.

Removal is the reverse of installation – make sure to cap bulkhead connector with a dummy plug.



Advanced Accessories



Track Length Extensions

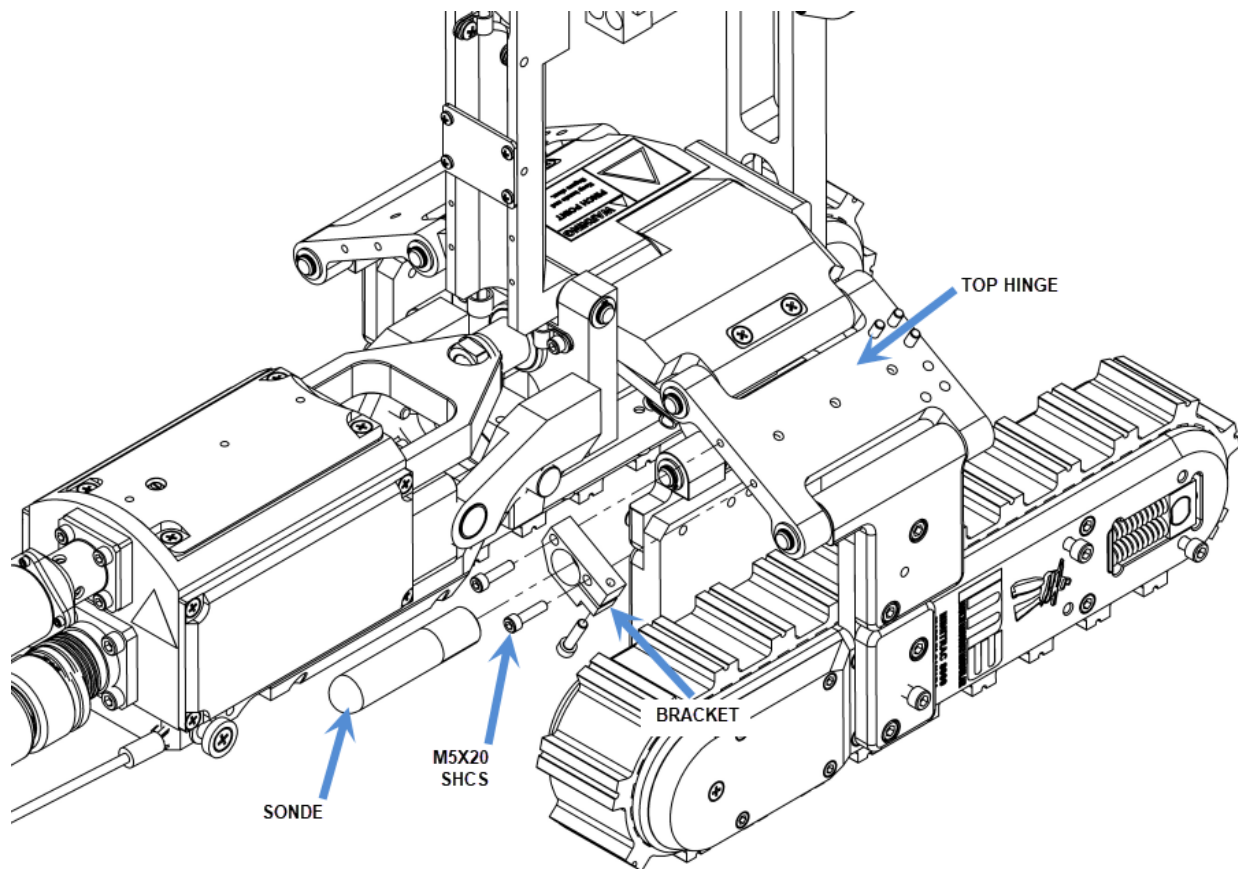
Extensions may be added to the tracks to increase their length by 114 mm (4.5 in) to improve vehicle stability and increase weight. The tracks mount to the chassis as normal, and configurations will function as normal – with the exception that the 901 lights must be removed for use in pipes with inner diameter smaller than Ø355 mm (14.0 in).

Sonde

A standard $\varnothing 19$ mm ($\varnothing 0.75$ in) battery powered sonde is able to mount on either side of the chassis as shown below. The sonde depicted below is a Prototek FV-20 512 Hz.

To mount the sonde onto the chassis, do the following as shown below:

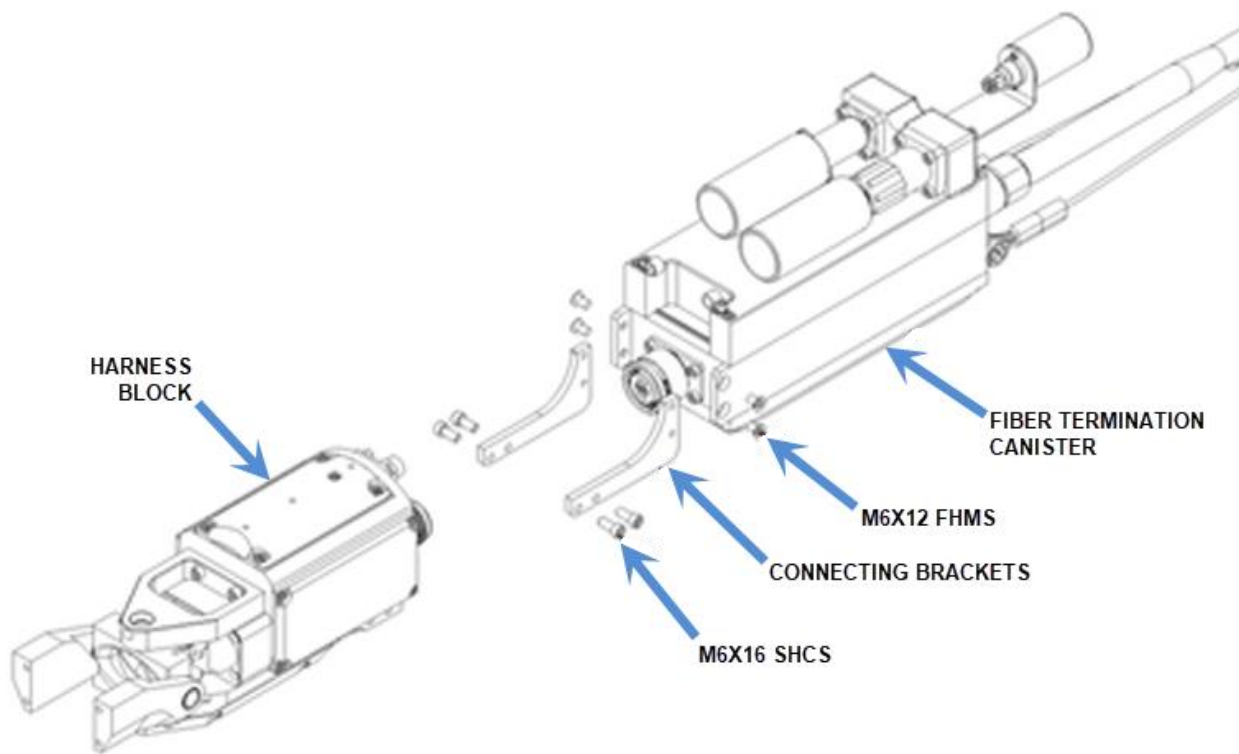
1. Clamp the sonde into the mounting bracket using a M5 x 20 mm SHCS.
2. Fasten the sonde and bracket to the back of one of the top hinges using 2x M5 x 20 SHCS.

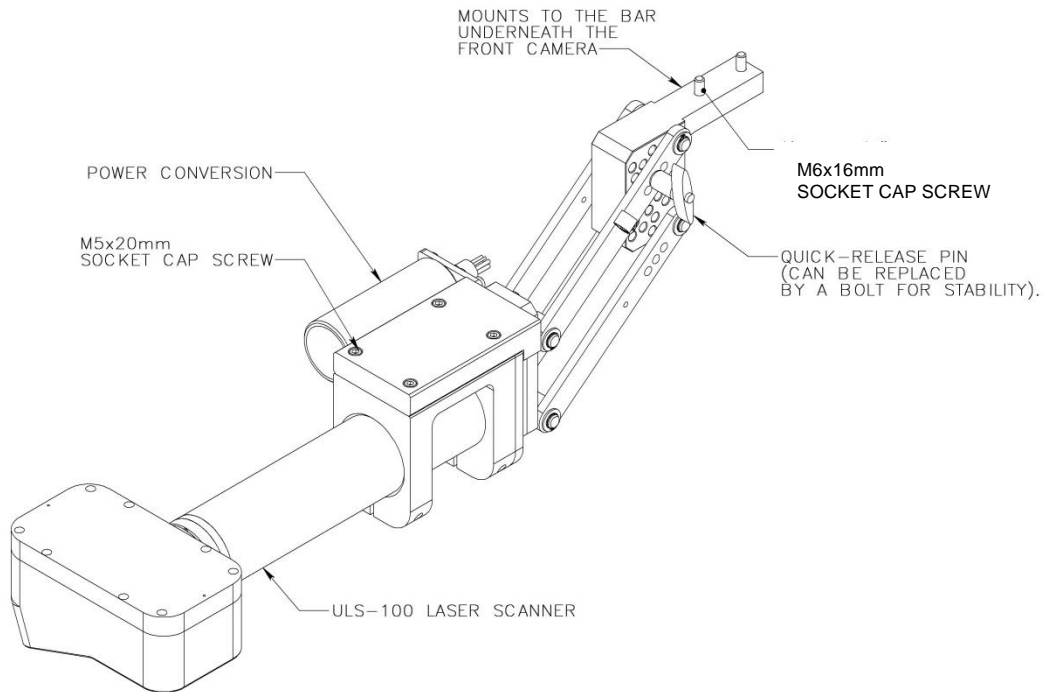


Fiber Optic Tether

If your system comes equipped with a fiber optic tether, do the following to mate the fiber termination canister to the harness block as shown below:

1. Mate the electrical connectors between the fiber termination canister and harness block – *make sure to align the keyways on the top of the connectors.*
2. Install the two connecting brackets with 2x M6 x 16 mm SHCS into each side of the harness block and 2x M6 x 12 mm FHMS into each side of the termination canister.
3. Connect the rear camera and other auxiliary devices to the tether termination can. A whip extension will be needed for the rear camera.



Laser Scanner Mount


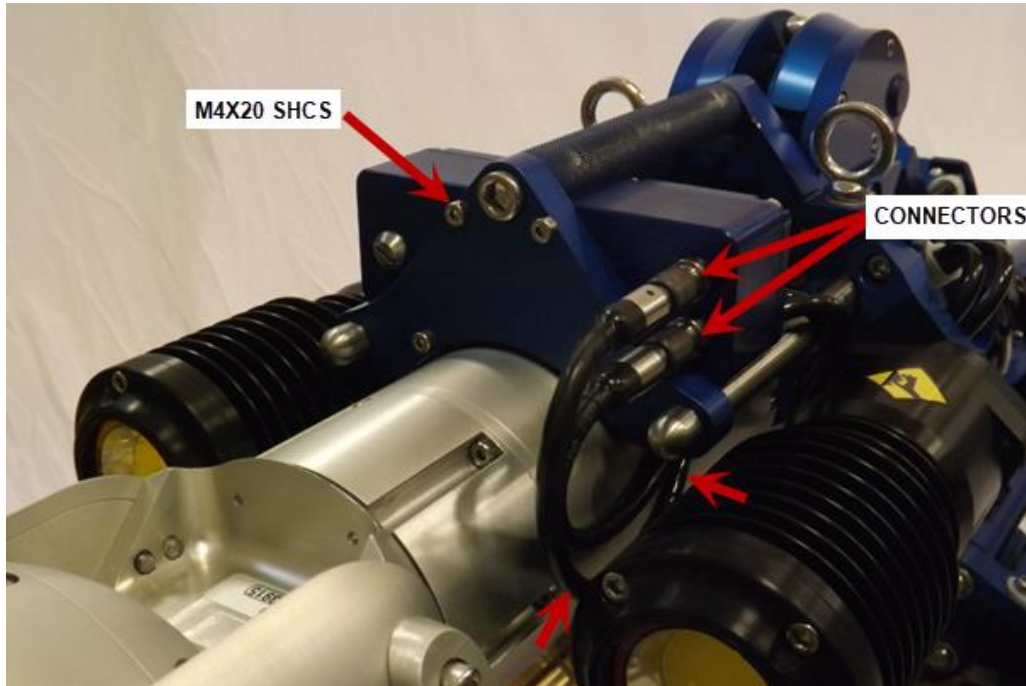
If your is equipped with an optional ULS-100 laser scanner module, it can be centered in the pipe by adjusting the quick-release pin at the base of the linkage.

Mount the adjustable arm for the ULS-100 scanner to the underside of the main camera mounting block using the M6 x 16 mm SHCS. Bolt the laser scanner with its mounting brace to the “L” shaped bracket at the end of the adjustable arm using M5 x 20 mm SHCS. The scanner must connect to the harness block through the power conversion can which drops the voltage from 48 VDC to 24 VDC. Run the cable through the top of the linkage (not between the links) and secure using P-clips.

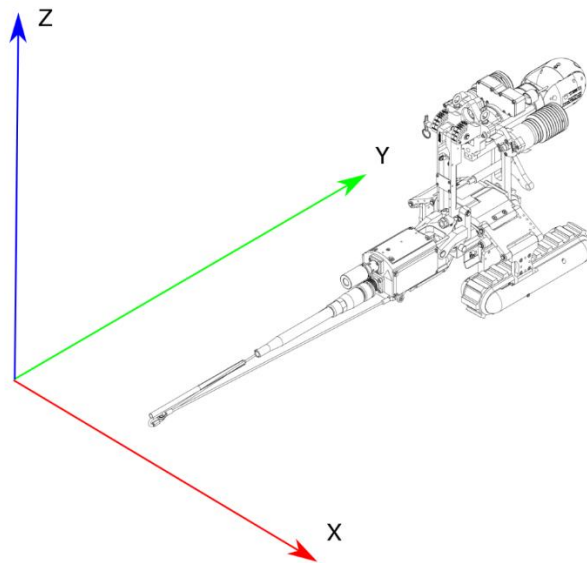
Document: UMDW014058.docm	Revision: A07	Created by: KW	Date: 14 Nov 2023	IPN: 3075415-A07
Source Location: C:\ePDM\ISLEng\products\dw-versatrax150mkii\manuals\UMDW014058.docm				Page 38 of 62

Odometry Module

The odometry module is an optional factory installed module which provides the pitch, roll, heading, ambient temperature and the distance travelled. It is secured to the bumper bar holder above the camera using 4x M4 x 20 mm SHCS. Make sure the cable whips are installed and routed as shown.



The figure below shows how the orientation sensor is mapped relative to the vehicle.



The axes are defined as follows:

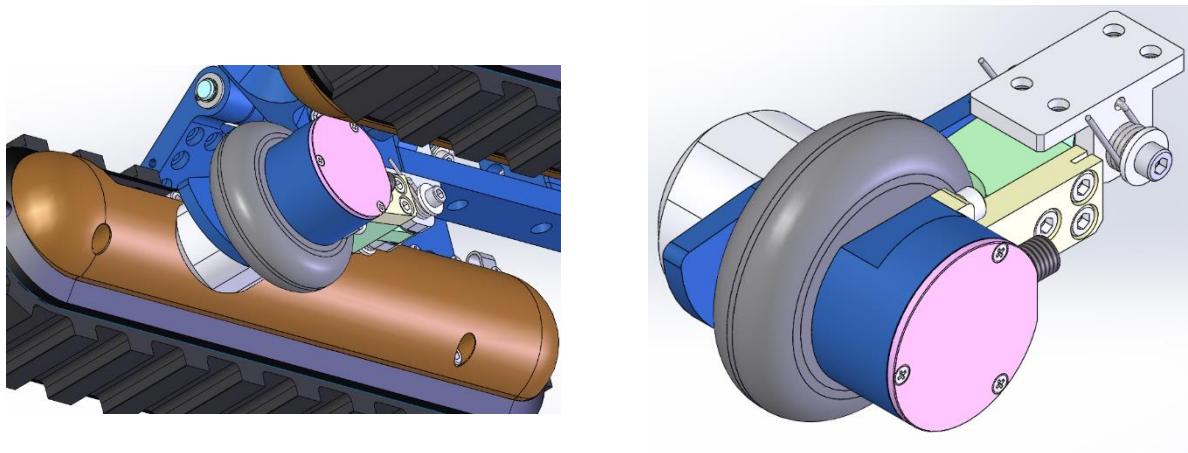
- The Y axis is the **length** of the vehicle.
- The X axis is the **width** of the vehicle.
- The Z axis is the **height** of the vehicle.

A clockwise rotation around the Y axis is defined as the positive direction (increases value). A clockwise rotation around the X axis is defined as the positive direction (increases value). A clockwise rotation around the Z axis is defined as the positive direction (increases value).

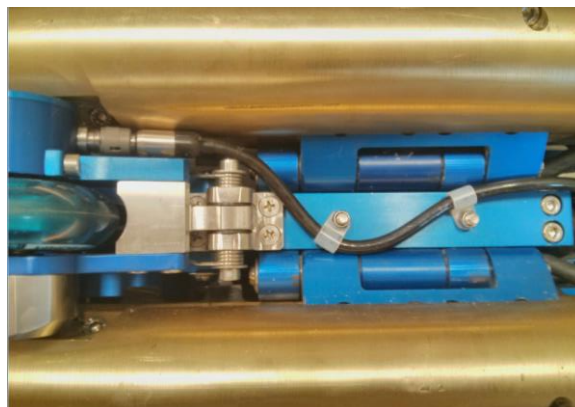
Note that the coordinate system and rotation directions can be redefined using ICON™.

The odometer module has an optional T-type thermocouple. The usable temperature range of this thermocouple is -200 – 350 °C (-330 – 660 °F). The thermocouple is accurate to +/- 1.0 °C (1.8 °F) or 1.5%.

The module connects to the wheel encoder located underneath the vehicle via the 6-position impulse connector. The wheel encoder diameter is 80 mm (3.15 in) and outputs 256 pulses-per-revolution using 9-bit quadrature encoding.

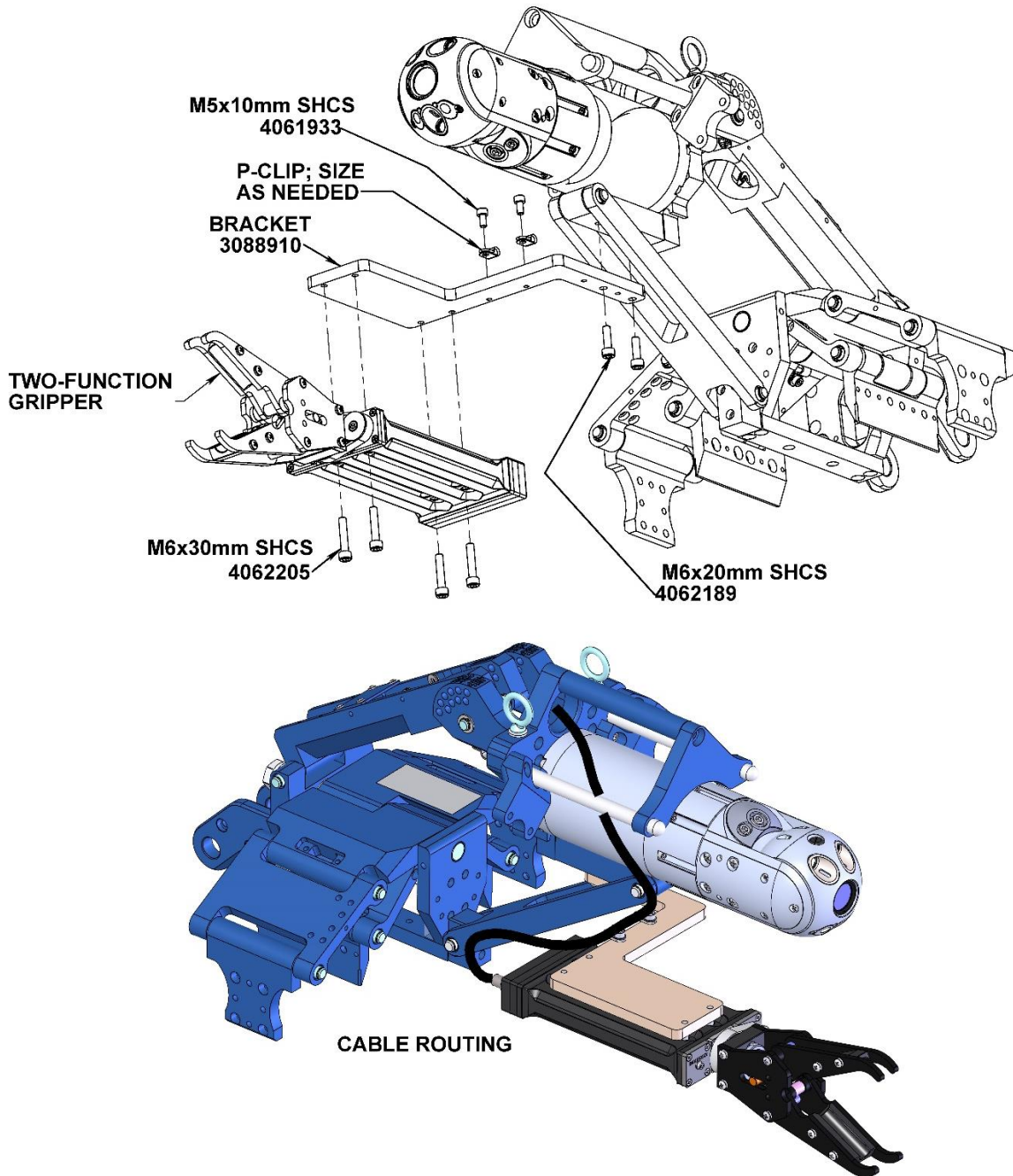


If your system includes the Encoder, make sure the cable whip is installed and secured as shown below.



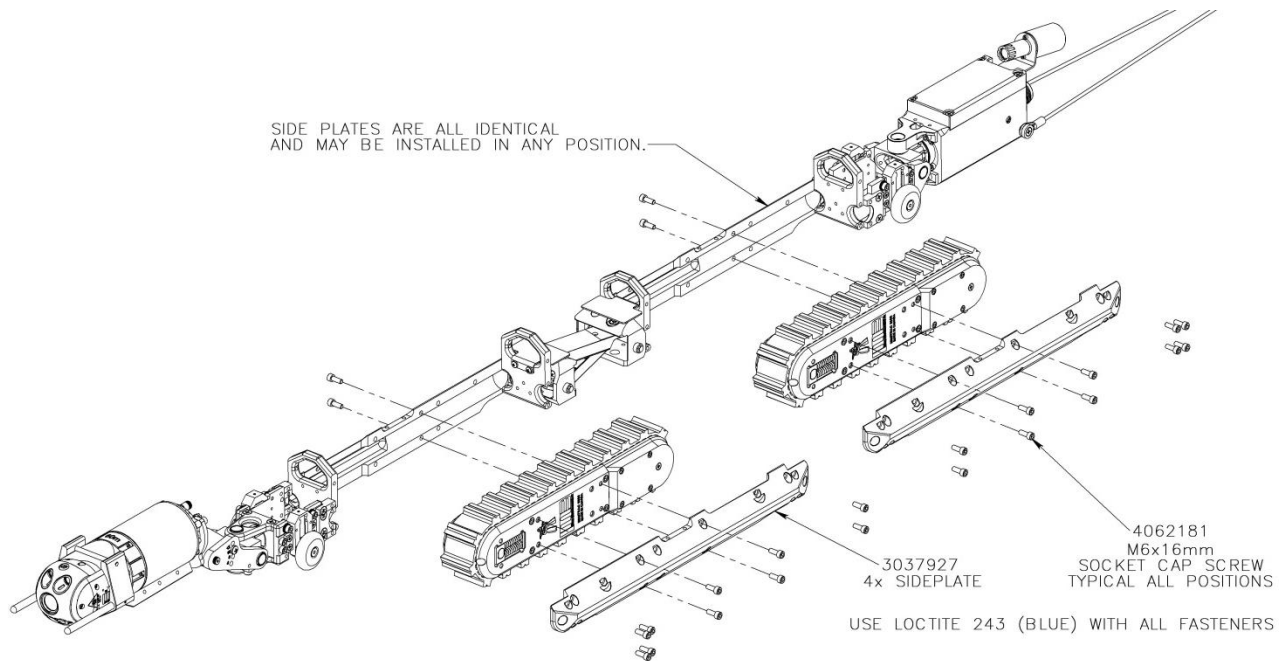
Two-Function Manipulator Mount

The two-Function Manipulator is mounted to the VT-P320 vehicle as shown below with the manipulator situated beside the camera. Mount the bracket facing either right or left using M6 x 20mm socket head cap screws. Bolt the manipulator above or below the bracket using four M6 x 30 mm socket head cap screws. After plugging in the connector, route and secure the cable using the P-Clips as shown. Use Loctite 243 (blue) with all fasteners.



VT-I150

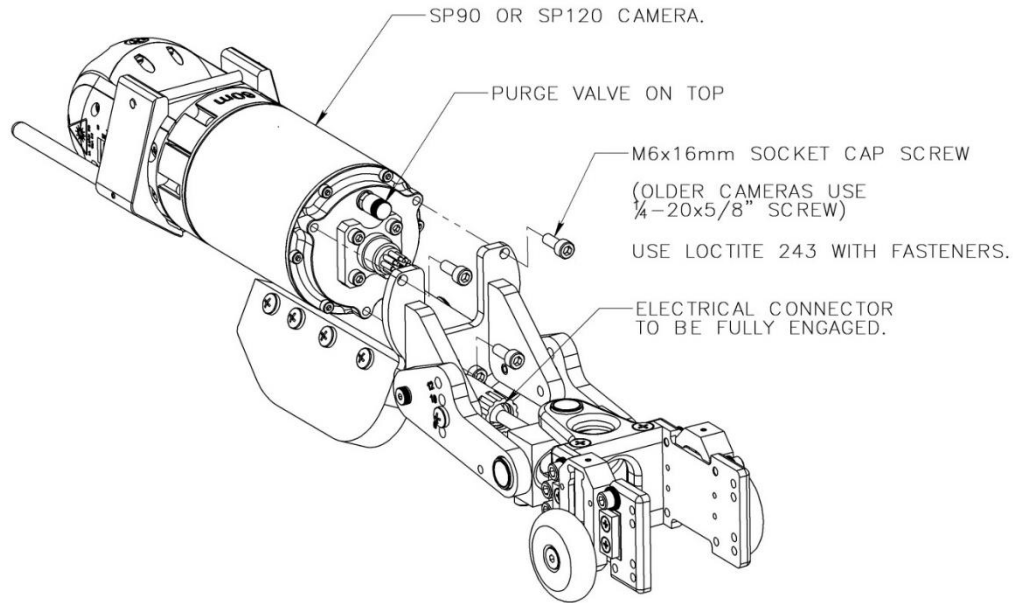
Track Installation



WARNING: Pinch Hazard. Keep your fingers and hands out of the X-Hinge. Do not hold or lift the vehicle by the X-Hinge. Severe pinching and hand injury may result. Always use the handles next to the hinge for lifting.

All fasteners are M6 x 16 mm SHCS as illustrated above.

1. Lay the vehicle on the work bench with the tracks in the orientation shown. The far side plates may remain attached to the handles and hinges as shown.
2. Plug the mating connectors into the tracks – *make sure to align pins and grease the male connectors.*
3. Attach the tracks to the far side plates.
4. Attach the free side plates to the tracks, handles and hinges.

Spectrum™ 90 Installation


Install the Spectrum™ camera on to the front of the vehicle using 3x M6 x 16 mm SHCS (older cameras use 1/4-20 x 5/8 in SHCS). Use Loctite 243 (blue) with all fasteners. Lubricate the connector with silicone grease or silicone spray and fully engage the locking collar.

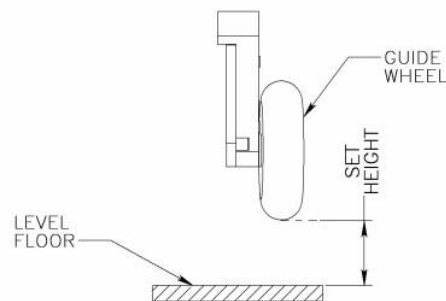
Guide Wheel Adjustment

For proper operation and stability, the chassis must be adjusted for the target pipe size.

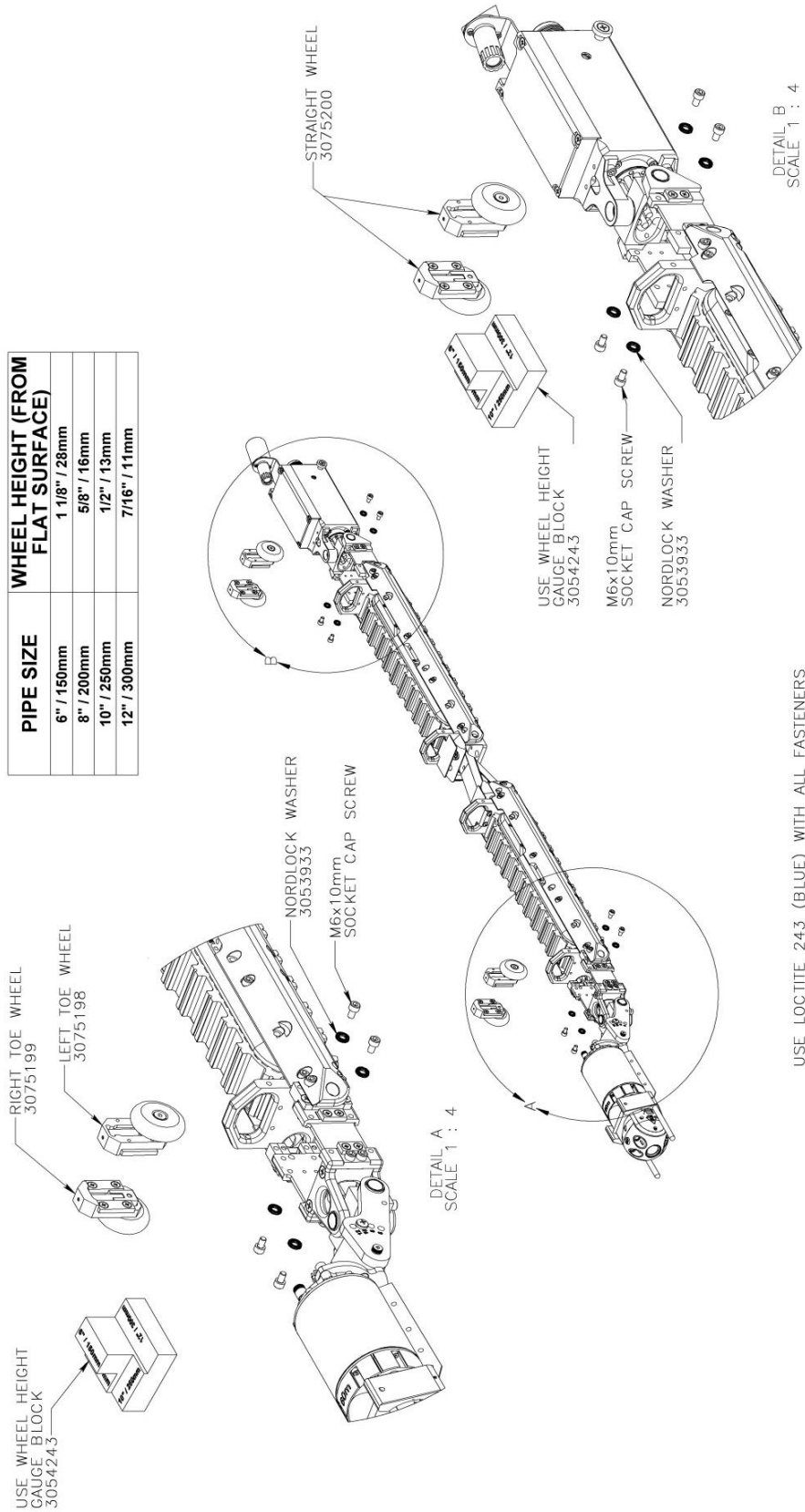
Guide Wheel Adjustment: First, ensure the guide wheels are located correctly on the vehicle. As illustrated below, the front guide wheels must be toed outward from the vehicle (by 2½°). An incorrect installation (toed in) will result in vehicle instability. The rear guide wheels are straight.

Set the wheel height to suit the target pipe. The wheels should be just lightly touching the pipe. The chart below outlines approximate wheel heights for standard pipe sizes. A guide wheel height gauge is also provided with the system for generic pipe sizes.

Pipe ID (Nominal Size)	Wheel Height
150 mm (6 in)	28 mm (1.13 in)
200 mm (8 in)	16 mm (0.63 in)
255 mm (10 in)	13 mm (0.5 in)
305 mm (12 in)	11 mm (0.44 in)



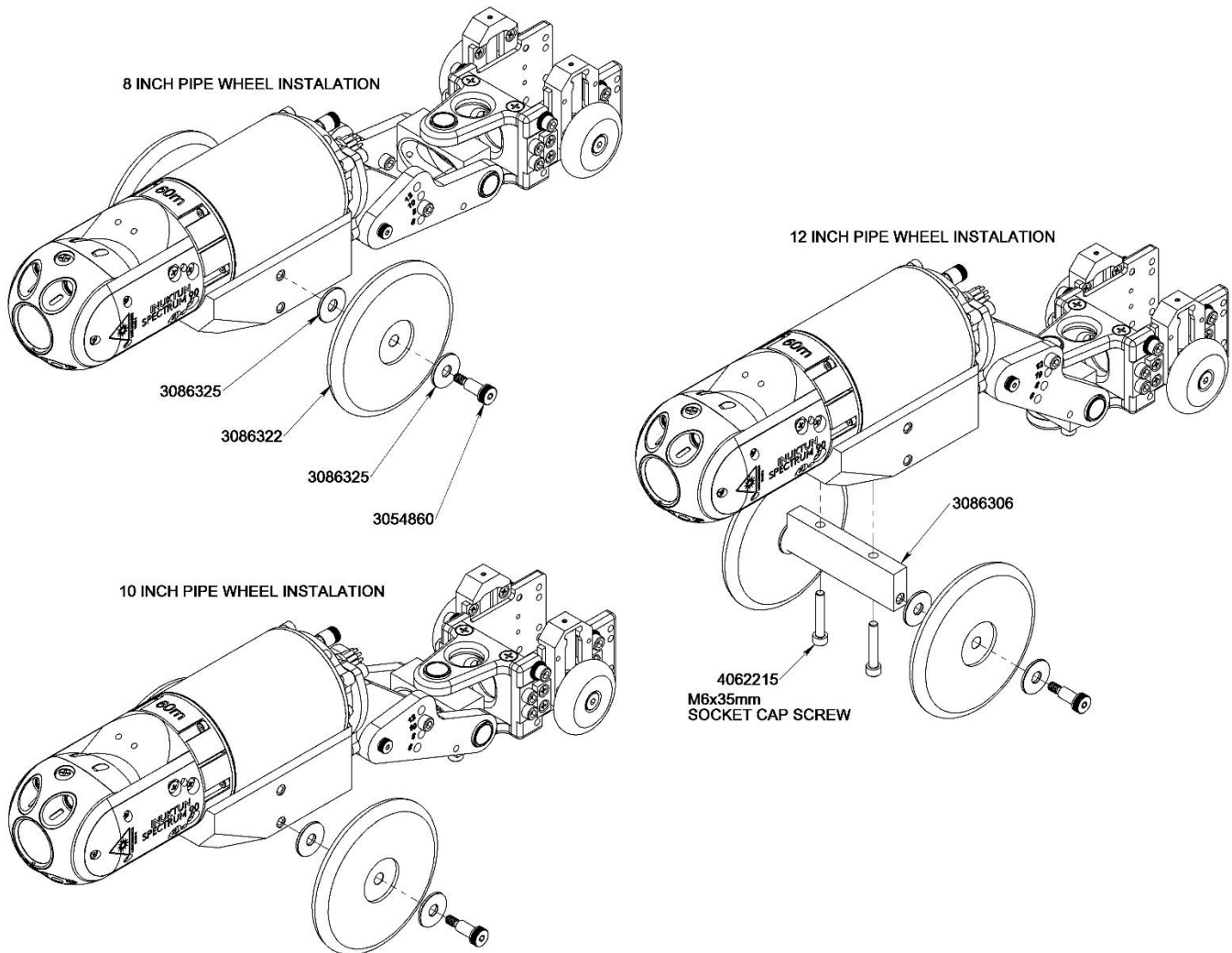
PIPE SIZE	WHEEL HEIGHT (FROM FLAT SURFACE)
6" / 150mm	1 1/8" / 28mm
8" / 200mm	5/8" / 16mm
10" / 250mm	1/2" / 13mm
12" / 300mm	7/16" / 11mm



Camera Height / Skid Adjustment

Rear Camera: The rear camera may be used in all pipe ID over Ø203 mm (7.0 in) but must be removed when the pipe ID is below Ø203 mm.

Camera Adjustment: There are four standard sizes of camera height adjustments; 150, 200, 250, and 300 mm (6, 8, 10 and 12 in). These are nominal sizes. The 150mm (6 in) configuration will use a small skid under the camera. Wheel placement for 200, 250 and 300 mm (8, 10, 12 in) pipe is illustrated below. Always use Loctite 243 with the shoulder screw. Wheel lubrication is not required.



Rear Camera Installation

The VersaTrax™ system comes ready to accept a rear facing Sapphire™ camera. The plug-in whip is included with the harness block at the back of the vehicle. The Sapphire camera will come supplied with a mounting bracket and installation hardware. The rear camera may be used in all pipe ID over Ø203 mm (7.0 in) but must be removed when the pipe ID is below Ø203 mm.



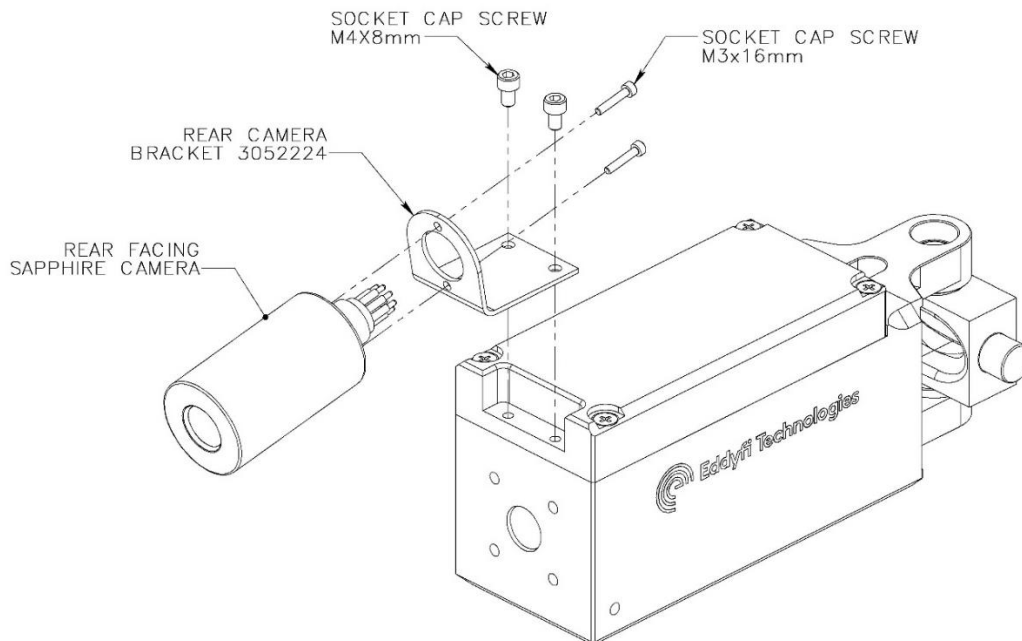
WARNING: High Voltage. The mating whip is supplied 70 VDC. This whip must be capped with a dummy plug whenever the Sapphire is removed. Shock or system damage may otherwise result. Never operate the system with this connector open.



Note: The Sapphire camera uses a higher voltage and different pin-out than the Amber camera which is used on other Eddyfi Technologies equipment. You cannot use the Amber with the VersaTrax™ systems. Attempts to install the Amber camera will damage the connector and burn out the camera.

Installation

1. Remove the cable clamp holding the camera whip.
2. Install the camera bracket as shown using 2x M4 x 8 mm PHMS.
3. Install the camera using 2x M3 x 16 mm PHMS. *Note the camera orientation marked “TOP” seen on the label inside the epoxy.*
4. Plug the mating whip into the camera – *make sure to align the pins and grease the male connector.*
5. Secure the locking collar after plugging in the camera.



Document: UMDW014058.docm	Revision: A07	Created by: KW	Date: 14 Nov 2023	IPN: 3075415-A07
Source Location: C:\ePDM\ISLEng\products\dw-versatrax150mkii\manuals\UMDW014058.docm				Page 46 of 62

In-Line Traction Enhancement

Traction enhancement may be installed onto the in-line vehicle as needed. Traction enhancement works by pressing a wheel or belt against the top of the pipe to gain more traction force.

Traction enhancement mechanisms are available in two size ranges:

- **Below Ø175 mm ID** – traction enhancement is not available.
- **Press Wheel** for Ø175 mm (6.89 in) to Ø220 mm (8.66 in) Internal Diameter.
- **Traction Belt** for Ø200 mm (7.87 in) to Ø320 mm (12.60 in) Internal Diameter.

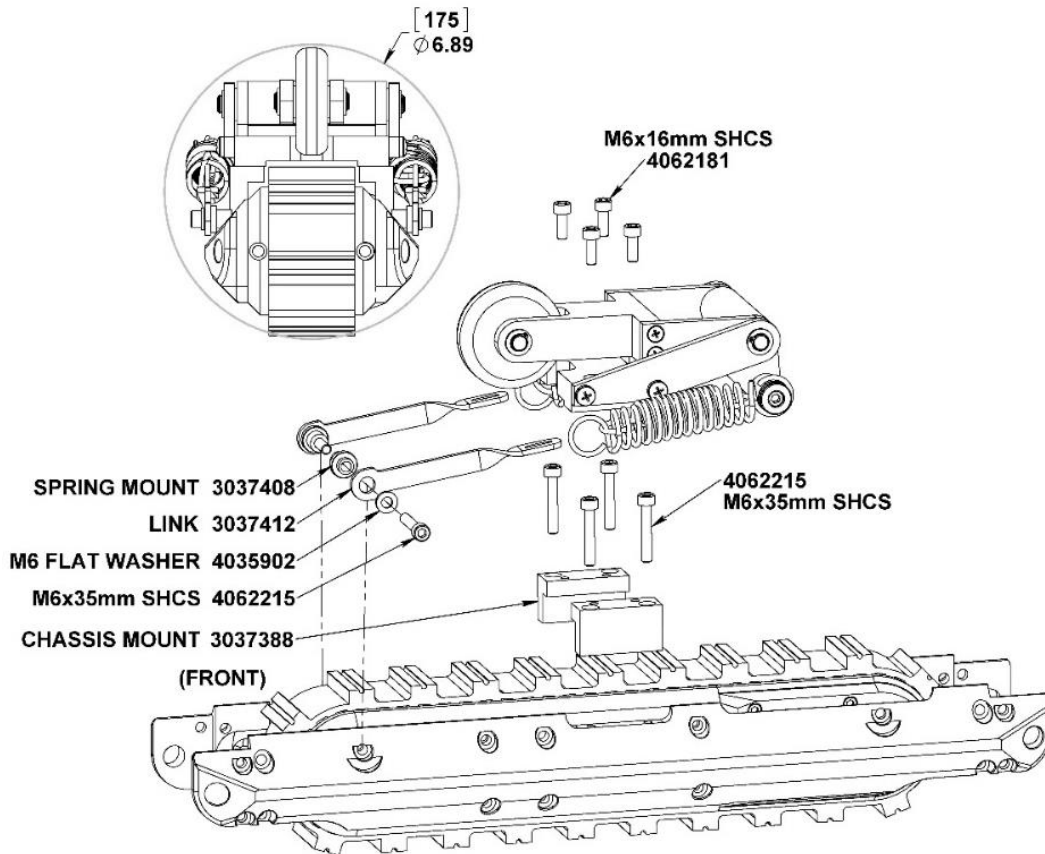
Press Wheel Installation

Install the Ø175 mm (6.89 in) to Ø220 mm (8.66 in) Internal Diameter traction wheel with reference to the diagram below. Use Loctite 243 (blue) with all fasteners.

1. Install the chassis mount blocks (3037388) onto the chassis side plates using M6x35mm socket head cap screws.
2. Install the wheel assembly onto the mount blocks using M6x16mm socket head cap screws. The traction wheel faces forward as shown to reduce the chance of jamming during extraction.
3. Install the links (3037412) onto the chassis using the hardware shown. (The link twist direction does not matter.)
4. Slide one end of the spring into the link slot.
5. Use a large flat-blade screwdriver to stretch the spring over the grooved mount.



WARNING: Mechanical Pinch Hazard & Snap Spring Hazard – Wear gloves and eye protection when installing or removing the springs.



Traction Belt Installation

Install the Ø200 mm (7.87 in) to Ø320 mm (12.60 in) Internal Diameter traction belt with reference to the diagram below. Use Loctite 243 (blue) with all fasteners.

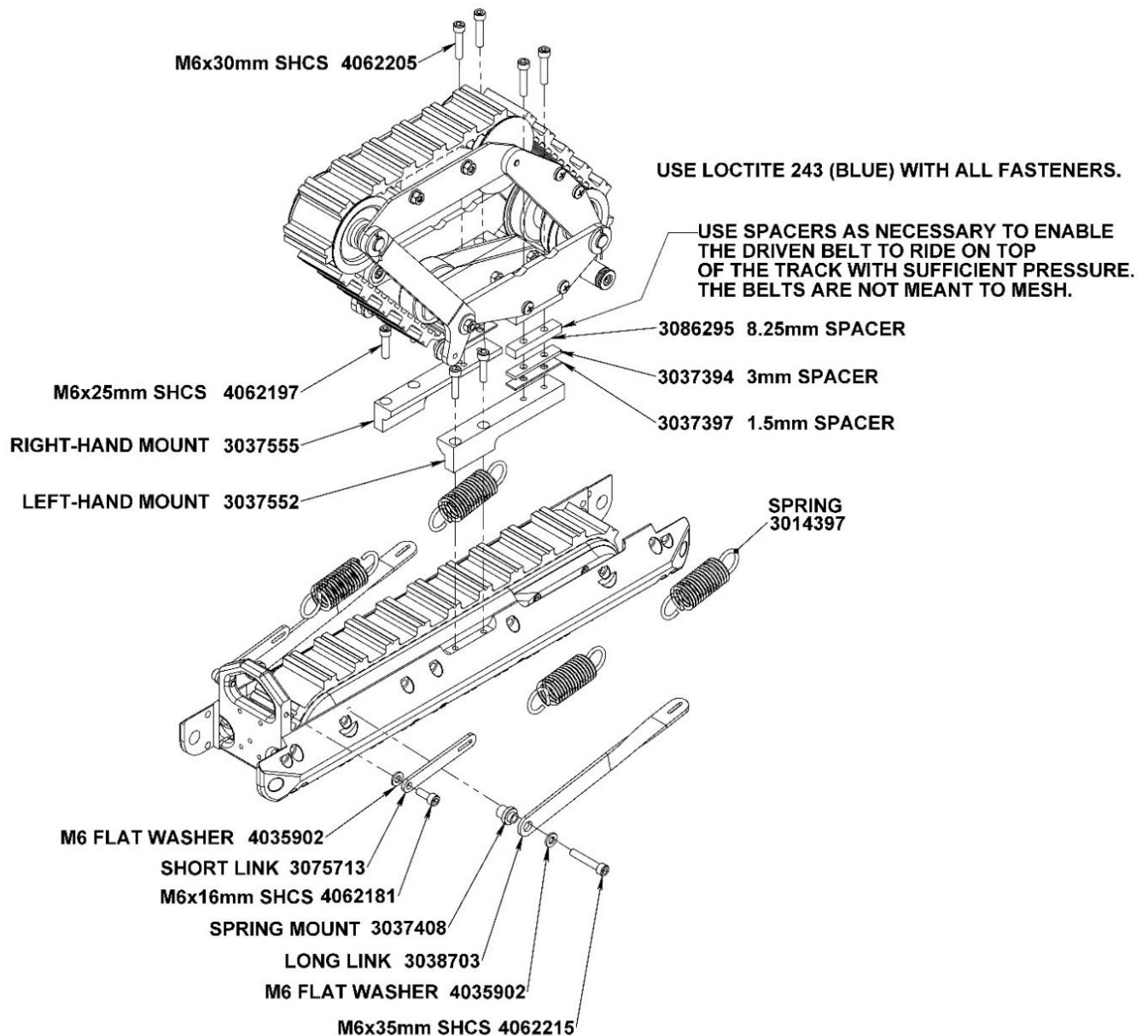
1. Install the right and left chassis mount blocks (3037552, 3037555) onto the chassis side plates using M6x25mm socket head cap screws. Ensure the mount direction matches the diagram.
2. Install the short spring links (3075713) onto the chassis handle using the hardware shown.
3. Install the long spring links (3038703) onto the chassis handle using the hardware shown. The link twist direction does not matter.
4. Install the belt-linkage assembly onto the mount blocks using M6x30mm socket head cap screws. The traction belt faces forward as shown so it can be deflected by obstacles during extraction.
5. Stretch and slide one end of the forward spring into the short link slot. (The forward springs should be permanently attached to the linkage mechanism.)
6. Slide one end of the rear spring into the long link slot.
7. Use a large flat-blade screwdriver to stretch the spring over the grooved mount.
8. Power up the system and run the vehicle on the ground or on blocks on the workbench. Observe the interaction of the tracks with the traction belt. There should be only a slight press between the

Document: UMDW014058.docm	Revision: A07	Created by: KW	Date: 14 Nov 2023	IPN: 3075415-A07
Source Location: C:\ePDM\ISLEng\products\dw-versatrax150mkii\manuals\UMDW014058.docm				Page 48 of 62

two, allowing the lugs to sit on top of one another with a small pressure. This allows some drive force to be transferred to the traction belt and to the top of the pipe. Spacing is adjusted using spacers as needed. Spacing needs may change as the belt wears. Too much pressure will jam the track.



WARNING: Mechanical Pinch Hazard & Snap Spring Hazard – Wear gloves and eye protection when installing or removing the springs.



Operation

Pre-Operations Check

Before each deployment of the VersaTrax™ system, ensure everything is completed on the following checklist:


- Verify that the work area has been safely set up.
- Verify that the line voltage available at the worksite matches the equipment setup.
- Verify that power and deck cable connections are correct.
- Verify the vehicle for the following:
 - Check that the vehicle is in the correct configuration for the deployment.
 - Check the vehicle for mechanical damage to the chassis or cable harnesses which could affect its operation.
 - Ensure that all fasteners are in place and secure. In particular, check the fasteners holding on cameras, lights, tracks and tow cable.
 - Visually inspect the vehicle and Minitracs™ to ensure that the moving parts are free of debris and functional. Make sure the track belt is free of debris and turns freely.
 - Check the tether and vehicle whips for damage.
 - Ensure camera viewports are clean.
 - Check the 901 light fins for fouling.
 - Optional Components** - Check that the screw on the automatic camera raise has been well lubricated.
- Check the winch/reel for the following:
 - Check that nothing will block movement of the level wind shuttle.
 - Check that the tether has no loose, dangling coils. Dangling coils can propagate as the drum rotates and have the potential to jump the drum. Take care of these before deploying the tether.
 - WINCH - Check that no objects, tools, etc., have fallen into the winch mechanism around the chain and drum.
 - WINCH - Check that the drum lock is disengaged and latched open. (Models with a disk brake do not have the drum lock pin.)
 - WINCH - Ensure that the drive clutch moves freely and is operational.
- Power up the system and check the following:
 - Check for sufficient SSD drive space for recording.
 - Check record directories are set.
 - Check video quality and camera control functions.
 - Test video recording.
 - Test main lights.
 - Test track control.
 - Verify automatic camera raise is zeroed.
 - Optional Components** - verify operation of other optional components.

Document: UMDW014058.docm	Revision: A07	Created by: KW	Date: 14 Nov 2023	IPN: 3075415-A07
Source Location: C:\ePDM\ISLEng\products\dw-versatrax150mkii\manuals\UMDW014058.docm				Page 50 of 62

Post-Operations Check

A Post-Ops inspection should be carried out after every deployment using the following checklist:

- Inspect the tether for damage as it is reeled in.
- Visually inspect vehicle for entrained debris or mechanical damage.
- Test each function to ensure proper operation.
- Clean the system by hosing it down with water at regular line pressure. Do not pressure wash. The tracks may be cleaned off by hosing them down while running. If the system has been used in salt water, thoroughly rinse the vehicle with fresh water right away.



CAUTION: Do not use a pressure washer to clean the camera. Very high-pressure water can push past seals and flood the camera resulting in electrical damage or personal injuries.

- Optional Components** - Locate the automatic camera raise height at 80mm (3.1 inches) from its home position for packing into the plastic shipping case.
- Take time to pack the system properly for transport away from the worksite.
- Store the system in a dry environment.

Note: Ensuring the Versatrax™ system is always stored in good working condition will minimize deployment time for future inspections.

ICON™ Software

Vehicle control, video recording and export are accomplished using ICON graphical interface controller software. The manual for ICON is integrated into the software or available in PDF format on the control computer's desktop.

- ICON Manual – Accessed through ICON or Desktop Shortcut.

Power-Up Sequence

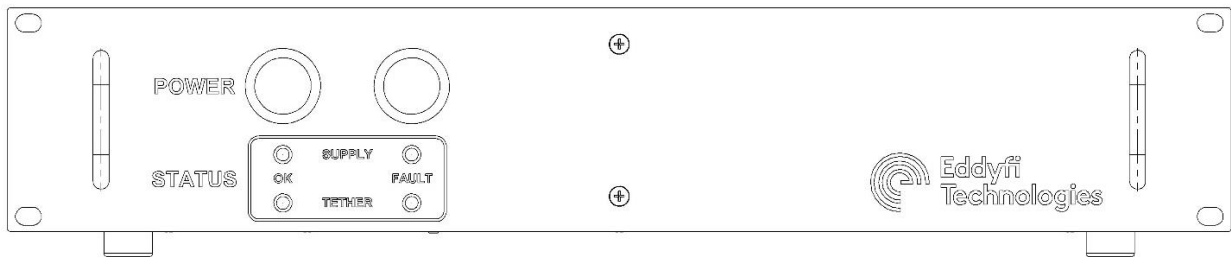
After all wiring connections have been made, the system may be powered up. The recommended sequence for power-up is as follows:

1. Power up the control computer and allow time for it to fully boot.
2. Turn on the Vehicle Power Supply.
3. Wait 5 seconds, then switch on the Interface Box.
4. Start the ICON (Controller) control program.

Note 1: The interface box contains circuitry for auto tether tuning for best video reception. If the interface box is powered on first, the tuning circuitry may lock onto the blue screen which some imagers produce and set tuning incorrectly.

Note 2: ICON always begins with identification of attached system components (cameras, tracks, etc.). If vehicle power is turned on after ICON is started, the system will not function until ICON is closed and restarted.

Ground Fault Detection & Alarms



The front of the high voltage power supply includes power on and off buttons as well as status indicators. The ON button and status indicators will light green during normal operation. The two red fault indicators may light momentarily during startup and shut down; this is normal.

There are two status indicators:



1. **Supply:** This is the main power supply providing 400 VDC to the tether. A **SUPPLY** fault warning will trigger if the AC power input drops below 85 VAC or if the power supply reaches over-temperature levels. The power supply will be automatically shut down.
2. **Tether:** The power supply is also equipped with fault detection which monitors potential current leakage from the high voltage power feed to the tether and vehicle. A **TETHER** fault warning may indicate possible damage to the tether cable or water leakage inside the harness block or Minitracs™. This fault will also be triggered if the output fuse has blown due to a short circuit.

Tether faults should not be triggered under normal operation and may be an indication of a major device malfunction or a potential safety hazard. If a tether fault is announced, the power supply should be

Document: UMDW014058.docm	Revision: A07	Created by: KW	Date: 14 Nov 2023	IPN: 3075415-A07
Source Location: C:\ePDM\ISLEng\products\dw-versatrax150mkii\manuals\UMDW014058.docm				Page 52 of 62

disconnected and the reel, deck cable, tether, and vehicle harness whips should be inspected for damage. If all cabling looks good, the Minitracs™ and integrated harness block should be examined.

If either of the fault indicators trip, the power supply will automatically disable power to the tether and vehicle. The corresponding status indicator will light red and the **ON** button will flash to indicate external power has been disabled. The power supply will not re-enable vehicle power until it has been reset by pushing the **OFF** button.

	WARNING: A ground fault alarm may be an indication of a safety risk. The system should be turned off and carefully examined before powering back up.	
---	---	---

Note:	The GFI fault detector monitors the high voltage DC power feed only and is not a replacement for a proper GFCI protected AC power outlet.
--------------	---

Dealing With Obstacles

The operator will invariably encounter a range of obstacles in a pipe. Each time the operator must decide if the vehicle can safely pass or if there is risk of getting stuck. Common obstacles include but are not limited to:

- Crushed pipe
- Corrosion
- Sand
- Rocks, construction debris, random rubbish
- Roots
- Intersecting service pipes
- Wildlife and nests

The VT-P320 vehicle naturally straddles the debris at the very bottom of a pipe. If the debris is high, you may try installing the track extension brackets to give the chassis more clearance. Additionally, the inside track weights may be removed to increase center clearance.

If the operator is unsure about pipe navigability, he or she should consult with the site supervisor before moving forward.

Inspection Guidelines

The objective of an inspection is to obtain a recording of video and other data for review by the customer or pipe owner. If a recording is lost, fails to record, or is of poor quality the inspection will likely have to be re-done at the operator's expense. Therefore, it is in the operator's best interest to verify vehicle operation, video quality and recorder function before beginning each inspection.

Document: UMDW014058.docm	Revision: A07	Created by: KW	Date: 14 Nov 2023	IPN: 3075415-A07
Source Location: C:\ePDM\ISLEng\products\dw-versatrax150mkii\manuals\UMDW014058.docm				Page 53 of 62

A set of video overlay comments and data are usually required depending on the contract or client. Initial comments will usually include the location, pipe number and date. During the inspection the contractor may require certain pipe features or faults to be pointed out along with the distance from the pipe entry.

Conduct a complete inspection of pipe features and faults. For any feature or situation of interest, stop the vehicle and make a complete video survey using the continuous pan feature of the camera. Ultimately, the inspection is conducted for the benefit of the client who is reviewing the footage later on.

Powered Winch Operation

Refer to the winch manual for winch installation and operating instructions.

Vehicle Recovery

The Versatrax™ vehicle is designed for quick, efficient recovery by using the winch to tow it out of the pipe. Just how quickly recovery can proceed will depend on the condition of the pipe and how far the vehicle has traveled. Some factors may slow down recovery, such as distant travel into the pipe, bends and corners.

If using an **AC powered** winch, do the following:

1. Begin retrieval by driving backwards a very short distance. This will disengage the track drive clutches for towing with the winch.
2. If the vehicle has gone a long distance down the pipe it may require an excessive force on the tether from the winch to tow the vehicle. To prevent this, begin by driving the vehicle in reverse while simultaneously running the winch, hence taking the load of the vehicle off the tether.
3. Carefully watch the rear facing camera (if installed) whenever the vehicle is in reverse. Ensure the tether is towed from behind the vehicle and there is adequate tension to avoid it going slack behind the vehicle. Accidentally driving over the tether runs a high risk of breaking the tether or jamming the vehicle.
4. If the tether tension does not seem excessive, and you know (from the inspection) that the pipe is clear, you can tow the vehicle out with the winch. The winch will tow the vehicle between 60 and 100 feet per minute, depending on how full the drum is.
5. When the vehicle arrives at the deployment hole, stop towing and resume driving the vehicle. As the vehicle comes under the opening the tow cable and back of the vehicle will begin to lift. At this point stop and attach the lifting hoist.



Caution: Driving forward while the vehicle is being towed backwards by the winch may damage the Minitracs™.

If you are using a **portable reel** the vehicle must be driven backwards while the tether is reeled in by hand. The retrieval is similar to the powered winch. Follow these steps:

1. In order to ensure the tether is wound properly, have someone operate the level wind and spool the tether as the vehicle is reversed.

Document: UMDW014058.docm	Revision: A07	Created by: KW	Date: 14 Nov 2023	IPN: 3075415-A07
Source Location: C:\ePDM\ISLEng\products\dw-versatrax150mkii\manuals\UMDW014058.docm				Page 54 of 62

2. Make sure the friction brake is **engaged**.
3. Make sure there is no slack in the tether on the reel.
4. As the tether is being wound, track the level wind back and forth so that the tether lies tightly against itself in the reel.
5. Once the vehicle is recovered, pack up the reel in reverse order of setup.
6. Make sure the packing brake is engaged and the crank handle is removed and replaced with the shipping cap.
7. If there is water pooled in the case from a wet tether, there is a plug at the bottom that may be removed to allow the case to drain; always replace the plug after draining.

Emergency Recovery

In the event the vehicle becomes disabled while on a mission in a pipe, provision has been made for recovery of the vehicle by pulling it out with the tether. Recovering the vehicle by pulling is a serious operation and can put great demand on the tether system. Listed below are three scenarios where the vehicle may need to be recovered. Loading the tether beyond its maximum safe capacity should be considered only as a last resort.

Note: Prevention is always the best policy. When traveling through a pipe or in any unknown area, carefully watch your monitor.

The vehicle may become stuck if it is traveling through a damaged pipe section or improperly steered around a corner. If the vehicle does become stuck:

1. Determine if it is the vehicle or the tether that is stuck. Look back at the tether with the camera if possible. If the vehicle can back up but the tether will not reel in, the tether is caught on something. Try to look for and fix the cause of the catch *before* putting any more strain on the tether. The operator should use any dexterity available first to free the vehicle without resorting to tether force.
2. If the vehicle cannot work itself free from a snag, try using *light* tether tension and tractor power simultaneously.
3. If still stuck, try a stronger tether tension.
4. If the vehicle seems to be permanently stuck in the pipe, the supervisor must decide whether to sacrifice the tether in order to pull harder, or to dig the vehicle out.

Document: UMDW014058.docm	Revision: A07	Created by: KW	Date: 14 Nov 2023	IPN: 3075415-A07
Source Location: C:\ePDM\ISLEng\products\dw-versatrax150mkii\manuals\UMDW014058.docm				Page 55 of 62

Troubleshooting

Camera Control Problems

- Not all the auxiliary lights are on.
 - The ICON™ software allows the lights to be controlled independently. Ensure all lights are enabled. Refer to the ICON interface manual.
 - Inspect for failed LEDs.
- **Warning:** High Intensity Light. Do not look directly into the lights. Use a welding filter (shade #8) to observe the light elements.
- Camera pan or tilt does not function in one or both directions.
 - Check that the camera is not jammed.
 - If you can hear a motor running but see no movement, there is a gearing or clutch problem inside the camera. Contact Eddyfi Technologies.
- Camera is moving very slowly.
 - Check the pan & tilt speed in the camera control window. Refer to the ICON user interface manual.

Video Problems

- No video (black or blue background)
 - Interface box is not turned on.
 - Video cables are not hooked up between interface box and computer.
 - Camera connector on vehicle is loose (turn power off first before plugging in camera).
 - Check that the camera harness whip is plugged into the correct socket on the telemetry can.
 - Check monitor input settings.
 - Vehicle power is not on.
 - Check for problems with other video components between the computer and monitor.
 - Try a different monitor. Whole days have been spent on field maintenance trips only to discover a faulty monitor or faulty BNC / RCA video cable.
- Picture is very dark or very bright.
 - Check the light levels of both the camera and main lights.
- Intermittent picture.
 - Check and replace the video cables.
 - Check the monitor is working properly.
 - Check that the camera harness whip is fully plugged in.
 - Check for intermittent breaks in the camera harness cable.
 - Check the tether connectors at both controller and vehicle.
 - Check for tether or slip ring damage by testing tether continuity.
- Picture is blurry, will not focus, or has poor color.
 - This may be a dirty camera view port, or a narrow object lying in front of the view port.
 - Object may be too close to the camera.
 - If the interface box is powered on first, the video receiver tuning circuitry locks on to the blue screen some imagers produce and sets tuning incorrectly. Correct the problem by turning on the vehicle first, wait 5 seconds before powering on the interface box.

Document: UMDW014058.docm	Revision: A07	Created by: KW	Date: 14 Nov 2023	IPN: 3075415-A07
Source Location: C:\ePDM\ISLEng\products\dw-versatrax150mkii\manuals\UMDW014058.docm				Page 56 of 62

- No Rear Video
 - Verify the video connection from the interface box to the computer.
 - This may be a dirty camera view port, or a narrow object lying in front of the view port.

Vehicle Problems

- Vehicle won't steer or vehicle runs backward.
 - Tracks set to the wrong positions.
 - Track reverse setting incorrect in control software.
 - Node ID conflict between one or more devices on the vehicle.
- Tracks will not run.
 - Check the track current feedback (See ICON™ manual).
 - If current is at 100% and the vehicle does not move, then the tracks may be jammed. They could be wedged on an object or jammed with sand. Try reversing the tracks to clear debris. If a jam will not clear, you will have to recover the vehicle by pulling it out with the tether.
 - If no current is registered, then power or communication is not getting to the tracks. Check all the cable connections.
 - Try power cycling the system.
 - Inspect the vehicle wiring for damage.
 - Check all the system connectors.
 - Try restarting ICON™
 - Listen for the track motors. If the motors run but the track does not turn, there is a problem with the gearing or shaft pins.
 - Try changing tracks. (ICON will require a restart.)
- Camera Raise will not move.
 - For each time the system is turned on, the camera raise will not move until it is zeroed. Click the CALIBRATE button on the ICON interface after system startup. The mechanism will lower itself automatically to its lowest position until the limit switch is detected.
 - Check the connector to the camera raise motor.
 - Try restarting ICON.

Winch Problems

- Tether distance does not read correctly.
 - Check that the pressure wheel is pressing the tether against the payout sheave. If the tether is being pulled up from the sheave instead of down, it may be disengaged from the sheave.
 - Check that the units are set properly in the graphical overlay.
 - Recalibrate distance encoder.
 - Ensure that the correct COM port is selected in the control software.
- Winch is very noisy.
 - The short chain directly off the motor is too tight. This chain must run with some slack. Refer to the winch manual.

Document: UMDW014058.docm	Revision: A07	Created by: KW	Date: 14 Nov 2023	IPN: 3075415-A07
Source Location: C:\ePDM\ISLEng\products\dw-versatrax150mkii\manuals\UMDW014058.docm				Page 57 of 62

- Winch does not run.
 - Check that the winch has AC power.
 - Check that the Emergency STOP button has not been pressed. (Twist to reset).
 - After a power failure the run/stop switch must be reset.
 - If there are no lights on the controller, check the fuse on the winch and in the motor control box. Refer to the winch manual.
- Intermittent problems with vehicle or camera only when the winch is running.
 - This may be caused by loose connectors.
 - Slip ring may be damaged. Pin out the tether to check continuity with the winch drum turning.

Document: UMDW014058.docm	Revision: A07	Created by: KW	Date: 14 Nov 2023	IPN: 3075415-A07
Source Location: C:\ePDM\ISLEng\products\dw-versatrax150mkii\manuals\UMDW014058.docm				Page 58 of 62

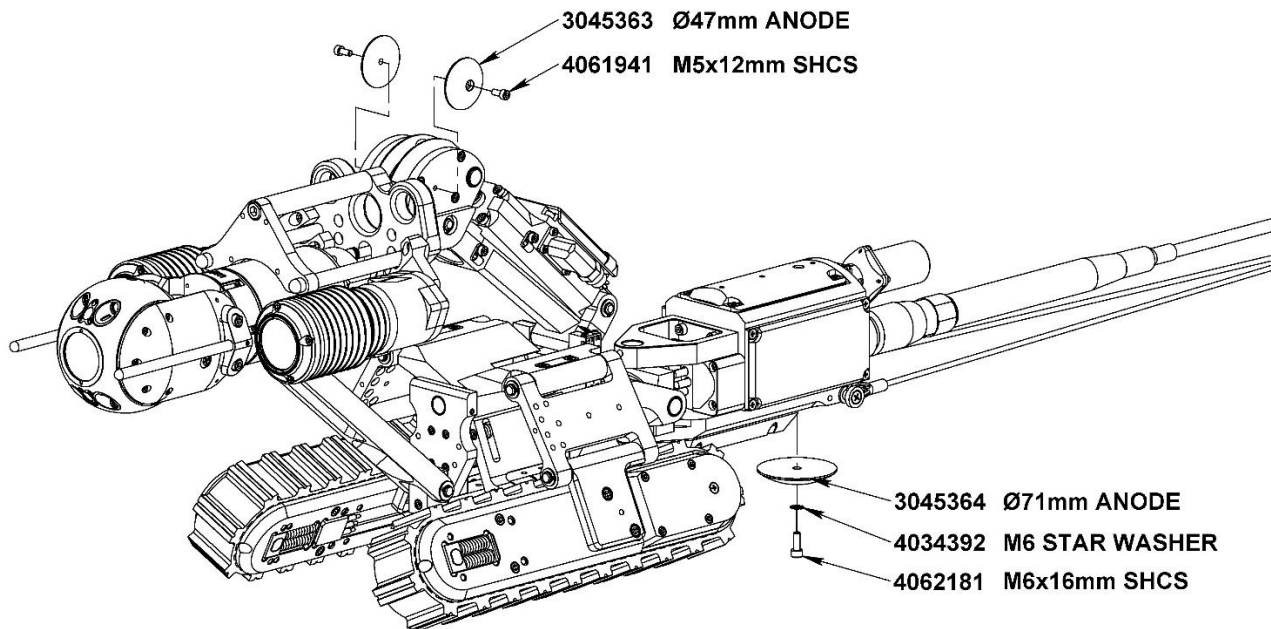
Maintenance
Galvanic Corrosion Control

Eddyfi Technologies strongly recommends cathodic protection whenever the VT-P320 or VT-I150 is being deployed in a saltwater environment – either submerged or in salt spray, regardless of camera or track material.

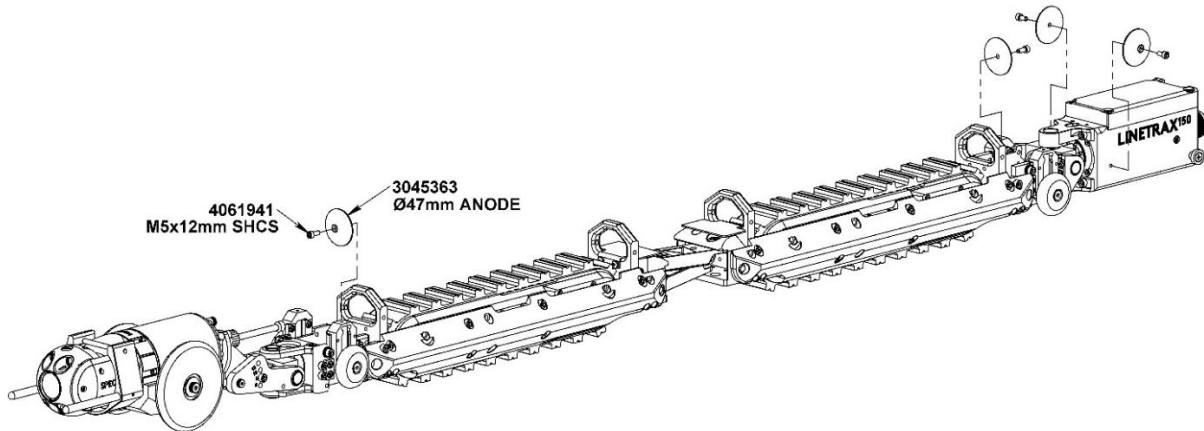
Eddyfi Technologies' vehicles are designed to use **aluminum** marine anodes. Aluminum anodes are common in the marine industry and are replacing zinc anodes in many areas. For vehicle systems that are often pulled in and out of the water, aluminum anodes are especially important, as zinc anodes tend to scale over when exposed to air and may not reactivate when submerged again. An aluminum anode will always reactivate.

If the vehicle is being carried by a transport device, for example, a larger ROV, we recommend it also be protected by **aluminum** anodes or the two vehicles be electrically isolated from one another. Do not mix anode types (zinc and aluminum) on the assembly, between vehicles or between structures. There must be only one anode type throughout. Magnesium anodes must never be used with Eddyfi Technologies equipment.

Because many of the chassis' linkages are electrically isolated, the anodes provide protection by proximity rather than by direct conductive contact. Anodes are installed onto the VT-P320 and VT-I150 as illustrated below with Loctite 243 (blue). In some cases, the Spectrum™ 90 and Spectrum™ 120 cameras may be partly equipped with anodes. Refer to the Spectrum™ 90 or Spectrum™ 120 manuals for anode placement on the Spectrum cameras. Contact your sales representative for anode replacements.



Document: UMDW014058.docm	Revision: A07	Created by: KW	Date: 14 Nov 2023	IPN: 3075415-A07
Source Location: C:\ePDM\ISLEng\products\dw-versatrax150mkii\manuals\UMDW014058.docm				Page 59 of 62



Rinsing and Cleaning

After every mission check to see if the vehicle needs cleaning.

1. If the system has been used in salt water, thoroughly rinse the vehicle with fresh water prior to being stored away. Accelerated corrosion will result if the inspection system is not rinsed properly. Pay close attention to rinsing and cleaning the camera window, LED light dome and the spaces between moving parts and track belts.
2. Use an open hose or tap at regular water line pressure for rinsing. Do not pressure wash the equipment – water will be forced into the camera at these high pressures.
3. Avoid scratching the camera port. Use glass cleaner and a soft cloth to clean the port.



CAUTION: Do not use a pressure washer to clean the camera. Very high-pressure water can push past seals and flood the components resulting in electrical damage or personal injuries.

Periodically:

1. Use a damp cloth or spray cleaner for the power supply / controller box. The box must never be sprayed down or immersed in water. Unplug the controller before cleaning.
2. For general cleaning of the cameras and tracks, use a mild detergent.
3. Clean the camera raise lead screw using a mild degreaser and re-grease with Molykote G1502FM or similar grease.

Fuse Replacement

The controller and power supply contain panel mount fuses for both AC and DC voltages. These fuses are for the safety of the operator(s) as well as to protect the equipment from damage. If a fuse blows, stop and look for possible causes. Causes might include cable damage, water incursion or improper connections. *See the controller manual for fuse replacement.*

Fuse values have been carefully selected for their application. Always replace the fuses with the same type and rating.



Caution: Disconnect the power source before checking or replacing fuses.

Track Maintenance

Refer to the track manual for maintenance and servicing instructions.

Camera Maintenance

Refer to the Spectrum™ 90 or Spectrum™ 120HD™ manual for camera maintenance and servicing instructions.

Tether Re-termination

Tether termination is a specialized service beyond the scope of this manual. Contact Eddyfi Technologies if the tether is damaged or requires re-termination.

Parts and Repairs

Ordering Parts/Customer Service

Spare and/or replacement parts are available for your product and can be ordered directly from your local office.

When ordering parts, always make sure to quote the sales order acknowledgement (SOA) number and/or the serial number of the system component in question.

Eddyfi Robotics Inc. (Canadian Headquarters and Manufacturing Location)

2569 Kenworth Road, Suite C
Nanaimo, BC, V9T 3M4
CANADA
TF 1.877.468.5886
info@eddyfi.com
www.eddyfitechnologies.com

Eddyfi Technologies – US (American Authorized Distributor and Service Centre)

812 W 13th Street
Deer Park, TX, 77536
USA
T +1.281.542.3292
info@eddyfi.com
www.eddyfitechnologies.com

Document: UMDW014058.docm	Revision: A07	Created by: KW	Date: 14 Nov 2023	IPN: 3075415-A07
Source Location: C:\ePDM\ISLEng\products\dw-versatrax150mkii\manuals\UMDW014058.docm				Page 61 of 62

Warranty Repairs

Warranty conditions are specified in the Warranty section. Should any conditions of the manufacturer's warranty be breached, the warranty may be considered void. All returned items must be sent prepaid to Eddyfi Technologies at the above address.

Factory Returns to Canada

Some sub-assemblies of your Eddyfi Technologies product are not field-serviceable and may need to return to the factory for repair. Warranty claims must return to the factor for evaluation.

To return an item for evaluation or repair, first contact Eddyfi Technologies at our toll-free number or e-mail address. Eddyfi Technologies will supply a Return Merchandise Authorization (RMA) number with detailed shipping and shipping/customs instructions. Items shipped without an RMA number will be held at Eddyfi Technologies until the correct paperwork is completed. If cross-border shipments are not labelled as per the instructions, the items may be held by customs and issued additional fees.

All returned items must be sent prepaid unless other specific arrangements have been made.

When the product or system is being shipped anywhere by courier or shipping company, it must be packaged in the original packaging it was received in. This measure greatly reduces the consequences of rough handling and subsequent shipping damage.

Eddyfi Technologies cannot be held responsible for damages due to improper packaging. Shipping damage may have significant impact on repair turnaround times.

Product/System Drawing Package Availability

Mechanical assembly and electrical wiring diagram drawings packages for your equipment are available in PDF format upon request. Printed copies may also be purchased from Eddyfi Technologies. Contact your local sales contact for more information.

Limited Warranty Policy

Refer the Eddyfi Technologies website for warranty terms for this product.

<https://www.eddyfi.com/en/salesterms>

Document: UMDW014058.docm	Revision: A07	Created by: KW	Date: 14 Nov 2023	IPN: 3075415-A07
Source Location: C:\ePDM\ISLEng\products\dw-versatrax150mkii\manuals\UMDW014058.docm				Page 62 of 62